

Power Solutions for a Smarter Tomorrow.



Price List 2024
(Effective from 01 July, 2024)



ENERGY & POWER MONITORS

THD, TDD,
TEHD, TOHD,
K-Factor,
Crest Factor,
Harmonics,
Sag & Swell,
Power Inter.

W, VA, PF, VAR,
Wh, Vah, VARh,
Load Hours,
Load Efficiency,
Co2, V2H, A2H,
NET Energy,
TOTAL Energy.

VLL, VLN, A, Hz,
RPM, Angle V/A,
Unbalance V/A

Counter Type Energy Meters



GD 3110
Smart 3E

VAF + PF Meters



SL 1300

Ammeter / Voltmeter



SL 13XX



SL X
SL 3X



SL 3X+

Frequency Meters



SL Hz



μAlpha Hz

DC Ammeter / Voltmeter



SL ADC
SL VDC



μAlpha ADC
μAlpha VDC

Branch Circuit Power Monitors



ET 5030

Dual Source Energy Meters



LG 25XX



LG 25XXD

DC Energy Meters



EDC 2150



EDC 2450X

Multi-functional Energy Meters



LG 64XX



LG 25XX



μG 1119



LG 25XXD



LG MXX
IoT XX

Transducers



TR 1XX



TR 2XX



TR 4200



TR 5200

Isolators



ISO 100



ISO 200

Class A/S Power Analyzers



PQ 8800



PQ 8500

Power Quality Monitors



PN 8700



EN 84XX

Demand Controllers



PN 8700



EN 8400



EN 6400



EN 7500

Gateways



GW 3000X

**BASIC VAF
METERING**

**MID-LEVEL ENERGY /
POWER / PROCESS MONITORING**

**ADVANCED ENERGY /
POWER MONITORING**

QUICKLY EXPLORE OUR RANGE OF PRODUCTS.

SWITCHGEARS, PROTECTION, CONTROL & NETWORKING PRODUCTS.

Earth Leakage Relay



iELR 300 iELR 200D

Load Disconnecter



LD 2510D

Earth Fault Relay



EFR 100

Smart Meters



PE 5121S PE 5120S

Prepaid Meters



PE 5121-P PE 5120-P

Automatic Transfer Switches



Solenoid ATS



ATeS (63A-1600A)

Manual Transfer Switches



ACCL



iACCL M3XX iACCL M3XX



iACCL 400 iACCL 400C iACCL M400

ACB



MCCB



Switch Disconnecter



Overload Relays



EL-Guard



Contactors

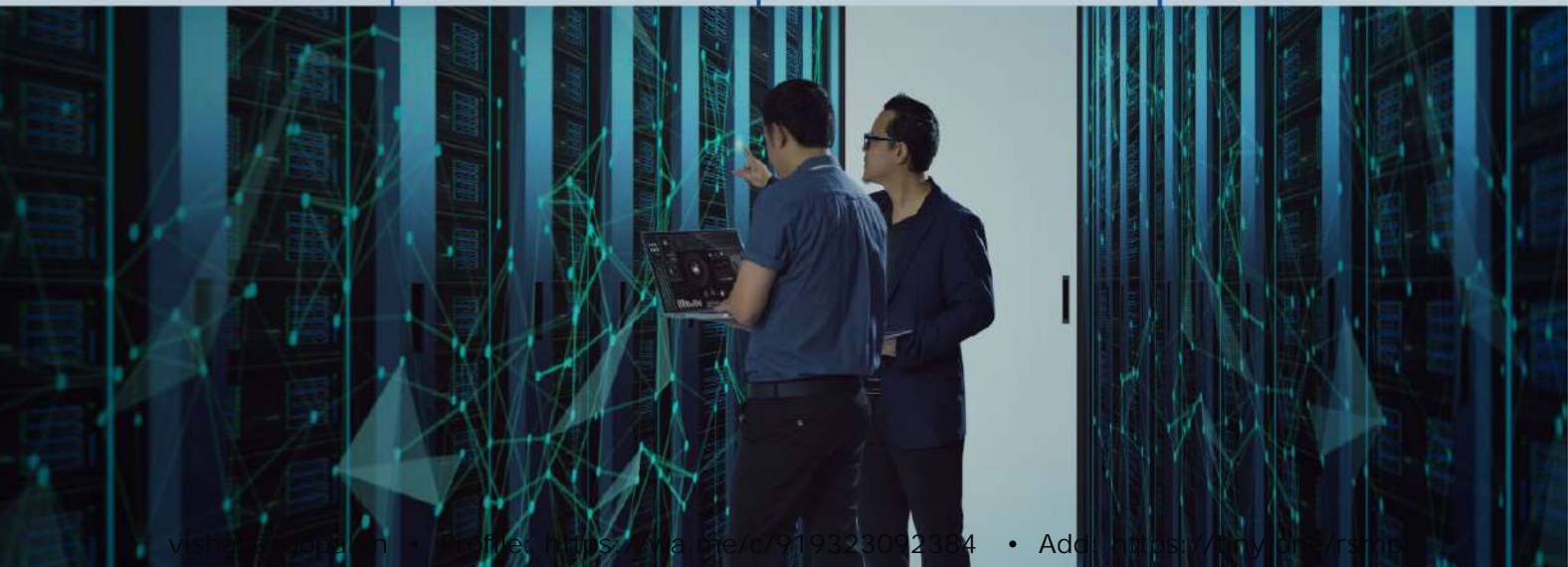


PROTECTION AND CONTROL

UTILITY / REVENUE METERS

SOURCE CHANGEOVER SWITCHES

LOW VOLTAGE SWITCHGEARS



ENERGY IS EVERYTHING.

And we help you manage it.

ABOUT US

With a collective experience and expertise in the field of energy and building management, our mission is to contribute significantly to the world by helping people manage energy efficiently, reduce their wastages, and drive sustainability. We continuously strive to collaborate and build innovative energy and power management products, that not only meets the highest quality standards of product performance, but delights the customers as well.



INDEX

Energy & Power Monitors

Power Quality Analysers (HSN Code: 9030)	7
Class A Power Quality Meter	8
Class S Power Quality Meter	8
Portable Power Quality Analyzers	48
Demand Controllers (HSN Code: 9030)	9
Multifunction Meter with Demand Controller	10
Power Quality Monitors (HSN Code: 9030)	11
Power Quality Meters	12
High Profile MFM	12
High Profile Multifunction Meters	13
High Profile Dual Source Energy Meter	13
Multifunctional Energy Meter (HSN Code: 9030)	14
Multifunctional Energy Meters	15
Multifunctional Energy Meters (DIN-Rail)	16
Multifunctional Energy Meter with Load Disconnecter	16
Dual Source Energy Meter	16
Basic Meters (HSN Code: 9030)	17
Basic + Power Meters (VAF + PF)	18
Ammeter / Voltmeter (3 row)	18
Ammeter / Voltmeter (Single row)	19
Frequency Meters	19
DC Ammeter / Voltmeter	19
Counter Type Energy Meter	20
GEN 5.0 - Basic and Multifunction Meters	20
DC Energy Meters (HSN Code: 9030)	21
Single Channel DC Energy Meter	22
Four Channel DC Energy Meter	22
Branch Circuit Power Monitor (HSN Code: 9030)	23
Branch Circuit Monitor (EL-Tag)	24
Master Meter (Digital MFM)	24
Transducers & Isolators (HSN Code: 9030)	25
Single Phase Transducer with Single Output	26
Single Phase Transducer with Dual Output	26
Three Phase Transducer with Single Output	27
Three Phase Transducer with Dual Output	27
Programmable Multifunctional Transducer	27
Isolator with Single Output	27
Isolator with Dual Output	28
Earth Leakage Relay (HSN Code: 8536)	29
Earth Leakage Relay, Panel mount	30
Earth Leakage Relay, 2DIN	30
Tape Wound Round CBCT	30
Plastic Enclosure Round CBCT	30
Tape Wound Rectangular CBCT	31
Utility/Revenue Meters (HSN Code: 9028)	32
Three Phase Smart Meter	33
Single Phase Smart Meter	33
Single Phase Smart Meter (IS 16444)	33
Three Phase Prepaid Meter (Direct Current)	34
Three Phase Prepaid Meter (CT Operated)	34
Single Phase Prepaid Meter (Direct Current)	34
Single Phase Postpaid Meter (Direct Current)	34

Source Changeover Switches

Automatic Transfer Switches (HSN Code: 8536)	36
Automatic Transfer Switch 4P with Inbuilt Controller (GEN 2.0)	37
Automatic Transfer Switch 4P with Inbuilt Controller (GEN 1.0)	38
ATS Remote Display Unit	39
Remotely Operated Automatic Transfer Switch	40
Solenoid Based Automatic Transfer Switch	40
Manual Transfer Switches (HSN Code: 8538)	41
4 Pole Manual Transfer Switch	42
Automatic Changeover with Current Limiter (HSN: 8538)	43
Single Phase ACCL without Display, 4DIN, Relay Based	44
Single Phase ACCL without Display, 4DIN, Contactor Based	44
Single Phase ACCL with Display, 4DIN, Relay Based	44
3 Phase (EB) & Single Phase (DG) ACCL, Contactor Based	44
3 Phase ACCL, Contactor Based	44
ACCL with LCD Display	45

Industrial Communication

Network Gateways (HSN Code: 8536)	46
IoT Gateways	47

Terms & Conditions:

- The prices provided are exclusive of taxes and freight.
- Current GST 18%, subject to change as per Govt. notification.
- Product photographs are shown only for representative purposes.
- All products comes with **18 Months warranty**, unless otherwise specified (**ACCL 12 Months warranty**).
- Contact near by Sales representative for more details.

Certification

Available for selected models on request



1800 120 5048

info@elmeasure.com | www.elmeasure.com

Formation of CAT CODE

for Panel and DIN-Rail Meters

LG6400 P 1 1 0 0 0

Model Identification

Type / Construction

Category	Symbol
Regular Panel Meter	P
DIN	D
LCD (rare cases)	L
Extended display	X
SLEEK	S

Accuracy Class

Category	Symbol
1.0	1
0.5	2
0.5S	3
0.2	4
0.2S	5
2.0	6
5.0	7

Communication Port

Category	Symbol
NO COMMUNICATION	0
RS485	1
ETHERNET	2
WiFi	3
LoRa/RF	4
GPRS	5
ETHERNET + RS485	6

Note: This CAT CODE description is only for your Internal Reference.

Example: Default Product (CAT No.: LG6400P11000) - LG6400, Panel Mount, Class 1.0, RS485, 5A Inbuilt

Input/Output, Others

Category	Symbol
No Option	0
1DO	1
2DO	2
3DO	3
4DO/4CH	4
1AI	5
2AI/6CH	6
DM	7
DMC-2RLY/8CH	8
DMC-4RL	9

CT Type

Category	Symbol
Built in/direct	0
Hanging	1
Clipon	2
Split core	3
Rogowsky	4
Any other	9

CT Range

Category	Symbol
5A/1A	0
1A	1
20A	2
30A / 32A	3
40A	4
60A / 63A	6
80A	8
100A	A
120A / 125A	B
160A	C
200A	D
250A	E
350A	F
400A	G



POWER QUALITY ANALYSERS

Easily pinpoint & diagnose complex power quality issues.

W
1024
Samples/cycle

IEC 61000-4-30
Measurement standards

0.2S
CLASS
Metering accuracy

Class A Power Quality Meter

- **Class A meter:** IEC 61000-4-30
- **High accuracy** of Class 0.2S as per IEC 62053-22
- **Ideal for incomers** or high energy users
- High sampling rate of **1024 Samples/Cycle**, Waveform recording, sag/swell monitoring
- **Sag Swell, Interruptions, Flicker & Transient** up to 5kHz as per IEC 61000-4-30 with waveform storage
- Measures up to **127th level of Individual Harmonics**
- **Built in web server** displays all the parameters and **Waveform**
- **4GB storage** downloadable through USB - continuous logging in pendrive
- **Data collection in IOT server** based on MQTT
- **12AM snapshot** for 100 days for 29 parameters through RS485
- **31st day snap shot** for 48 months through RS485

Class S Power Quality Meter

- **Class S meter:** IEC 61000-4-30
- **High accuracy** of Class 0.2S as per IEC 62053-22
- **Ideal for incomers** or high energy users
- High sampling rate of **512 Samples/Cycle**, Waveform recording, sag/swell monitoring
- **Sag Swell, Interruptions**, as per IEC 61000-4-30 with waveform storage
- Measures up to **63rd level of Individual Harmonics**
- **Built in web server** displays all the parameters and **Waveform**
- **2GB storage** downloadable through USB - continuous logging in pendrive
- **Data collection in IOT server** based on MQTT
- **12AM snapshot** for 100 days for 29 parameters through RS485
- **31st day snap shot** for 48 months through RS485

Remote Monitoring System

Power Quality Meter

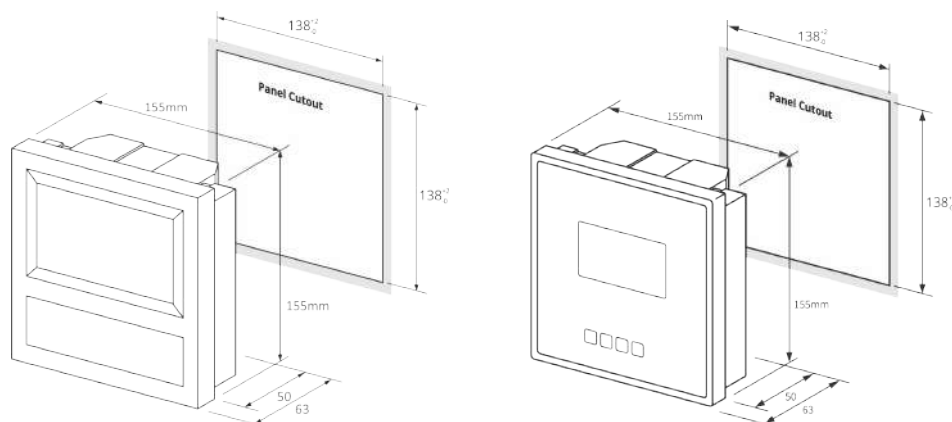
IoT Cloud Platform

Industrial Plants, Hotels, Residential, Office Spaces
Commercial, Malls/stores, Hospitals, Schools, Data centers

Power Quality Meters: RS 485+Ethernet+USB

Model	Description	CATCODE	Unit LP - ₹
CLASS A POWER QUALITY METER			
PQ 8800X	Class A PQ (5" TFT), Class 0.2S, RS485+Ethernet+USB, 4GB DL, Ind Har 127th, 5A Inbuilt	PQ8800T5R0N0	Price On Request
PQ 8800X	Class A PQ (5" TFT), Class 0.2S, RS485+Ethernet+USB, 4GB DL, Ind Har 127th, 5A Inbuilt, 2DI+2DO	PQ8800T5R0NH	
CLASS S POWER QUALITY METER NEW			
PQ 8500	Class S PQ (3.5" TFT), CI 0.2s, RS485+Ethernet+USB, 2GB-DL, Ind. Har 63rd, 5A Inbuilt	PQ8500O5R000	Price On Request
PQ 8500	Class S PQ (3.5 TFT), CI 0.2s, RS485+Ethernet+USB, 2GB-DL, Ind. Har 63rd, 5A Inbuilt, 2DI, 2DO	PQ8500O5R00H	

Mechanical Diagram:



EX-stock

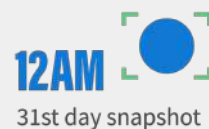
CAT-2 (Delivery in 5 working days)

CAT-3 (Delivery in 14 working days)



DEMAND CONTROLLERS

For smart load shedding and efficient power management.



Multifunction Meter with Demand Controller

- **Built in RTC**
- **Phase wise energy** available through communication
- **CO2 emission, ON Hrs, Power interruptions**
- Measures **Indl. harmonics** up to 63rd level for PN, 31st level for EN and 15th level for LG (Optional)
- **Dynamic communication** - user selectable parameter sequence of register map
- **High / Low Profile** with **Time Stamp**
- **12am & 31st day snap shot** thru communication
- Programmable **starting current**
- **Bar-graph** of load- selectable for Amps or Watts

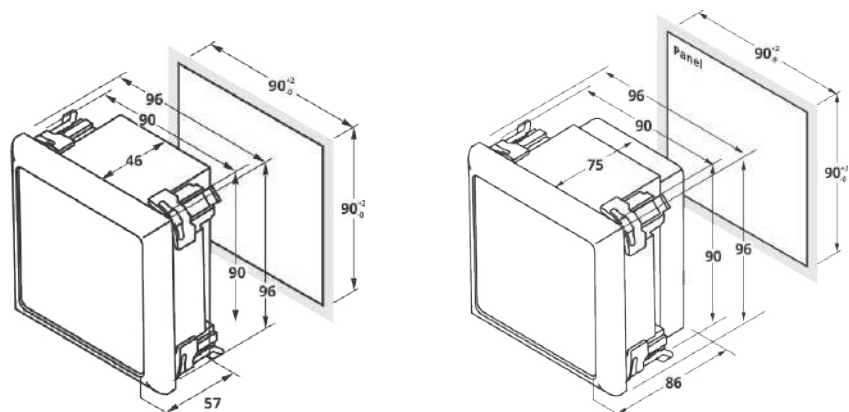
Features for Demand Controller

- **Demand Prediction** based on sliding or fixed.
- **Max Demand** 4 high/4 low, 12 am snapshot, 31st day snapshot
- Demand update every second to forecast kVA, kW & kVAR concurrently
- Either 2 or 4 Relay outputs for **circuit breaker or contactor control** for demand controller
- Optional 8 **Demand and Energy TOD** slots

Demand Controller (4 Relay / 2 Relay)

Model	Description	CATCODE	Unit LP - ₹
LG 6400	MFM, 2 Relay Demand Controller (LED), Class 1.0, RS485, 5A Inbuilt	LG6400P11008	17900
LG 6400	MFM, 2 Relay Demand Controller (LED), Class 0.5S, RS485, 5A Inbuilt	LG6400P31008	20100
EN 8400	High Profile 4 Relay Demand Controller (LED), Class 1.0, RS485, 5A Inbuilt	EN8400P11009	32250
EN 8400	High Profile 4 Relay Demand Controller (LED), Class 0.5S, RS485, TOD, 5A Inbuilt	EN8400P310T9	43950
EN 8400	High Profile 4 Relay Demand Controller (LED), Class 0.2S, RS485, 5A Inbuilt	EN8400P51009	39000
EN 7500	High Profile 2 Relay Demand Controller (LCD), Class 1.0, RS485, 5A Inbuilt	EN7500P11008	20500
PN 8700	High Profile 4 Relay Demand Controller (LCD), Class 0.2S, RS485, TOD, 5A Inbuilt	PN8700P510T9	50000

Mechanical Diagram:



EX-stock

CAT-2 (Delivery in 5 working days)

CAT-3 (Delivery in 14 working days)



ELMEASURE PN 8700

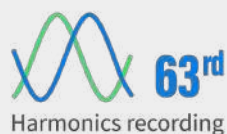
0.000	LL	1819.	W
240.2	Ln	3381.	UR
4.994	A	-0.473	L PF
50.00	F	3839.	VA

www.elmeasure.com



POWER QUALITY MONITORS

Monitor the **healthiness** of the power systems effectively.



63rd
Harmonics recording



512 SAMPLING RATE
For detailed monitoring



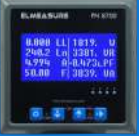
SAG | SWELL
PQ Measurements

High Profile Multifunction Power Quality Meter


- **Dual communication** port- RS485, Ethernet-simultaneous polling
- **Built in web server** displays all the parameters and waveform for Voltage and current
- 256MB storage downloadable through USB - Continuous logging in pendrive upto 8GB
- **12AM snapshot, 31st day snapshot**
- Measures **THD** and **Individual harmonics** upto 63rd order with a sampling rate of 512 samples/cycle (PN only)

- Captures and measures **power quality events: K Factor, Crest factor, Sag/Swell, Interruption** and unbalance in accordance with EN 50160
- Record events such as **Sag/Swell** for voltage with the time stamp in 1s duration
- Representation of **waveforms** for instantaneous V,I, Sag/Swell. Voltage and Current harmonics histogram (PN only)
- **Phase wise voltage sag/swell waveforms** (PN only)

Power Quality Meters

	Model	Description	CATCODE	Unit LP - ₹
	PN 8700	PQ (LCD), Class 0.2S, DM,RS485+Ethernet+USB, 256MB Data Logger, 5A Inbuilt, 2DI+2DO, Ind Har 63rd	PN8700P5R0NN	Price On Request
	PN 8700	MFM (LCD), Class 0.5S, DM,RS485+Ethernet+USB, 256MB Data Logger, 5A Inbuilt, 2DI+2DO, Ind Har 63rd	PN8700P3R0NN	

High Profile Multifunction Meters:

	Model	Description	CATCODE	Unit LP - ₹
	EN 7500	High Profile MFM (LCD),Class 1.0, RS485, 5A Inbuilt	EN7500P11000	13750
	EN 8400	High Profile Demand Monitor (LED), Class 1.0, RS485,5A Inbuilt, Indl.Har 31st	EN8400P110I7	15000
	EN 8400	High Profile Demand Monitor (LED), Class 0.5S, RS485,5A Inbuilt, Indl.Har 31st with RTC	EN8400P310I0	17500
	EN 8400	High Profile MFM (LCD), Class 0.2S, Demand Monitor,RS485,5A Inbuilt, Indl.Har 31st with RTC	EN8400P510I7	21000
	EN 8400	High Profile Demand Monitor (LED), Class 0.5, RS485, 100A Hanging, Indl.Har 31st with RTC	EN8400P21AI7	21000
	EN 7500	High Profile MFM (LCD), Class 0.5S, RS485, Demand monitor, 5A Inbuilt	EN7500P31007	18450
	PN 8700	High Profile MFM (LCD) ,Class 0.5S, Demand Monitor,RS485, 5A Inbuilt, Ind Har 63rd	PN8700P310I7	23000
	PN 8700	MFM (LCD), Class 0.5S,Demand Monitor,RS485,5A Inbuilt, Ind Har.63rd, Energy TOD	PN8700P310Q7	28250

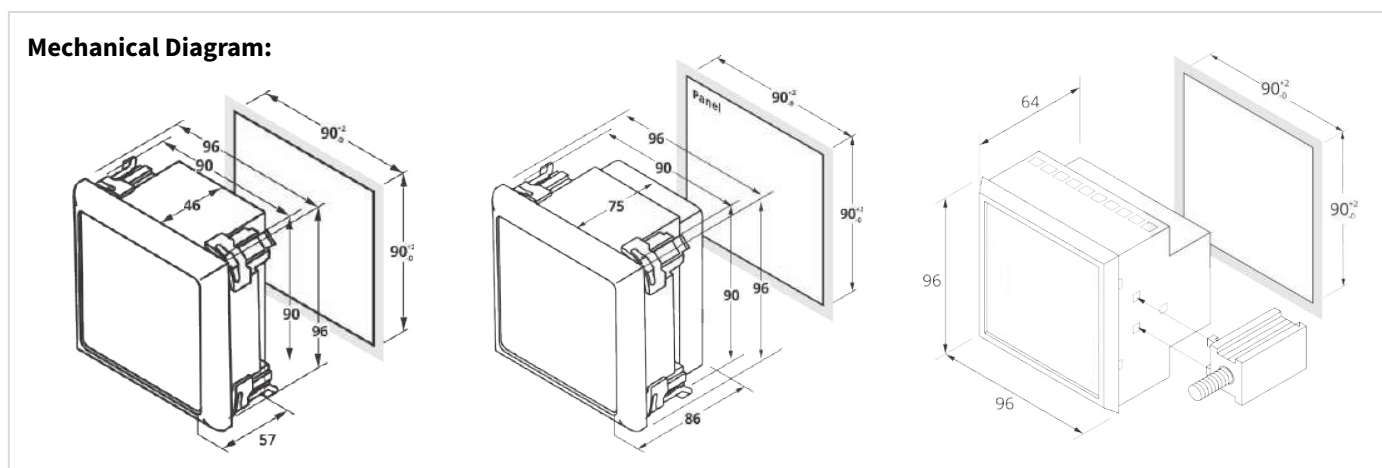
EX-stock

CAT-2 (Delivery in 5 working days)

CAT-3 (Delivery in 14 working days)

Model	Description	CATCODE	Unit LP - ₹
High Profile Multifunction Meters (Ethernet / Ethernet With Memory)			
EN 8400	High Profile MFM (LED), Class 1.0, Demand Monitor, Ethernet, 5A Inbuilt	EN8400P12007	25700
EN 8400	High Profile MFM (LED), Class 0.5S, Demand Monitor, Ethernet, 5A Inbuilt	EN8400P32007	28250
EN 8400	High Profile MFM (LED), Class 0.2S, Demand Monitor, Ethernet, 5A Inbuilt	EN8400P52007	32500
EN 8400	High Profile MFM (LED), Class 0.5S, DM, RS485+Ethernet+USB, 256MB DL, 5A Inbuilt, 2DI+2DO, Ind Har 31st	EN8400P3R0NN	45900
EN 8400	High Profile MFM (LED), Class 0.5S, DM, RS485+Ethernet+USB, 256MB DL, 5A Inbuilt, 2AI+2DO, Ind Har 31st	EN8400P3R0NP	45900
PN 8700	High Profile MFM (LCD), Class 0.5S, DM, RS485+Ethernet+USB, 256MB DL, 5A Inbuilt, 2AI+2DO, Ind Har 63rd	PN8700P3R0NP	49900
High Profile Multifunction Meters (Wi-Fi / IOs)			
EN 8400	High Profile MFM (LED), Class 0.5S, Demand Monitor, WiFi, 5A Inbuilt	EN8400P33007	21150
EN 8400	High Profile MFM (LED), Class 0.5S, Demand Monitor, WiFi, 5A Inbuilt, 4DI+2DO	EN8400P3300R	28750
EN 8400	High Profile MFM (LED), Class 0.5S, Demand Monitor, WiFi, 4DI+2DO, 100A Hanging CT	EN8400P33A1R	30750
High Profile Multifunction Meters (With Add on IOs)			
EN 8400	High Profile MFM (LED), Class 0.5S, Demand Monitor, RS485, 5A Inbuilt, 2DO	EN8400P3100K	20500
EN 8400	High Profile MFM (LED), Class 0.5S, Demand Monitor, RS485, 5A Inbuilt, 4DI	EN8400P3100Q	21100
EN 8400	High Profile MFM (LED), Class 0.5S, Demand Monitor, RS485, 5A Inbuilt, 2AI 2DO	EN8400P3100P	23500
EN 8400	High Profile MFM (LED), Class 0.5S, Demand Monitor, RS485, 5A Inbuilt, 2DI 2DO	EN8400P3100N	23500
High Profile Multifunction Meters (Bacnet)			
EN 8400	High Profile MFM (LED), Class 0.5S, Demand Monitor, Bacnet, 5A Inbuilt	EN8400P37007	Price on Request
High Profile Dual Source Energy Meters			
EN 8420	High Profile Dual Source MFM (LED), Class 1.0, Demand Monitor, RS485, 5A Inbuilt	EN8420P11007	16000
EN 8420	High Profile Dual Source Demand Monitor (LED), Class 0.5S, RS485, 5A Inbuilt	EN8420P31007	18600
EN 7520	High Profile Dual Source Demand Monitor (LCD), Class 0.5S, RS485, 1DO, 5A Inbuilt	EN7520P3100L	22100

Abbreviation.: DO - Digital Output | DI - Digital Input | AI - Analog Input | AO - Analog Output | DM - Demand Monitor | DL - Data logger

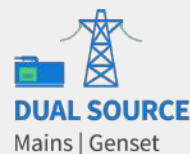


EX-stock CAT-2 (Delivery in 5 working days) CAT-3 (Delivery in 14 working days)



MULTI-FUNCTIONAL ENERGY METERS

Empowering you with **accurate** recordings of energy usage.



Multifunctional Energy Meter

- Most **Compact** 96x96x47mm with communication
- **Low Starting Current** 6mA (for LG) 50mA (for μ G)
- **Wide Measurement Range** 6mA to 6A (for LG) 50mA to 6A (for μ G)
- **High sampling rate** 128 samples/cycle
- Individual phase wise energy through communication
- **Dynamic communication** register map

Multifunctional Energy Meter (DIN-Rail)

- Alpha numeric LCD display.
- **Wide measurement range:** 1 : 1000 (6mA to 6000mA & 100mA to 100A).
- **Individual phase energy** through communication - helps branch monitoring, better load distribution study.
- **Dynamic communication** with the programmable address and user selectable parameter sequence.

Dual Source Energy Meter

Features of energy meter Plus;

- **Automatic switching** of display based on input source
- **Energy display programmable** counter based or resolution based
- kWh and kVAh billing

Multifunctional Energy Meters

Model	Description	CATCODE	Unit LP - ₹
Multifunctional Load Manger - 96X96mm			
LG 6400	MFM, Class 1.0, RS485, 5A Inbuilt	LG6400P11000	10600
LG 6400	MFM, Class 0.5S, RS485, 5A Inbuilt	LG6400P31000	12850
LG 6400	MFM, Class 1.0, RS485, 100A Hanging	LG6400P11A10	12500
Multifunctional Meter (3 Row): 96X96mm			
LG 6435	MFM, Class 1.0, RS485, 5A Inbuilt	LG6435P11000	8250
LG 6435	MFM, Class 0.5S, RS485, 5A Inbuilt	LG6435P31000	9900
LG 6435	MFM, Class 1.0, RS485, 100A Hanging	LG6435P11A10	10350
LG 6435	MFM, Class 1.0, RS485, 5A Inbuilt, 2DO	LG6435P11002	12950
LG 6430	MFM, Class 1.0, 5A Inbuilt	LG6430P10000	6000
Multifunctional Meter (1 Row): 96X96mm			
LG 2510	MFM, Class 1.0, RS485, 5A Inbuilt	LG2510P11000	7825
LG 2510	MFM, Class 1.0, RS485, 100A Hanging	LG2510P11A10	9300
Energy Meter (KWH): 96X96mm			
LG 2519	Digital Energy Meter, Class 1.0, 5A Inbuilt	LG2519P10000	3900
LG 2519	Digital Energy Meter, Class 1.0, RS485, 5A Inbuilt	LG2519P11000	4575
LG 2519	Digital Energy Meter, Class 1.0, RS485, 100A Hanging	LG2519P11A10	6200
LG 2519	Digital Energy Meter, Class 0.5, RS485, 5A Inbuilt	LG2519P21000	5300
Energy / Multifunctional Meter: 96X48mm			
μ G 1119	Digital Energy Meter, Class 1.0, 5A Inbuilt, 96x48mm	MG1119P10000	4100
μ G 5110	MFM, Class 1.0, RS485, 5A Inbuilt, 96x48mm	MG5110P11000	9050

EX-stock

CAT-2 (Delivery in 5 working days)

CAT-3 (Delivery in 14 working days)

Multifunctional Energy Meters (DIN-Rail)

Model	Description	CATCODE	Unit LP - ₹
Multifunctional Energy Meters: 2 DIN			
LG M30	MFM Three Phase, Class 1.0, RS485, 100A Hanging	LG0M30D11A10	8500
LG M13	MFM Single Phase, Class 1.0,RS485, 100A Direct	LG0M13D11A00	5500
IoT 30	MFM Three Phase, Class 1.0, WiFi, Without Display, 100A Hanging	LG0M30P13A10	11000
IoT 10	MFM Single Phase, Class 1.0, WiFi, Without Display, 100A Hanging	LG0M10P13A10	10000
Multifunctional Energy Meters: 5 DIN			
LG 2310D	MFM,Class 1.0, RS485, 100A Direct	LG2310D11A00	6700
LG 2510D	MFM,Class 1.0, RS485, 5A Inbuilt	LG2510D11000	7200
LG 2510D	MFM,Class 1.0, RS485, 100A Direct	LG2510D11A00	8450
LG 2510D	MFM,Class 0.5S RS485 5A Inbuilt	LG2510D31000	9000
LG2510D	MFM,Class 0.5S, RS485, 100A Direct	LG2510D31A00	9850
LG 2550D	MFM, Class 0.5S, RS485, 5A Inbuilt	LG2550D31000	12000
LG 2550D	MFM, Class 0.2, RS485, 5A Inbuilt	LG2550D31000000	14000
LG 2550D	MFM,Class 0.5s, RS485,5A Inbuilt, Demand monitor, RTC, Datalog	LG2550D310D7	Price on Request

Multifunctional Energy Meter with Load Disconnecter (6-DIN)

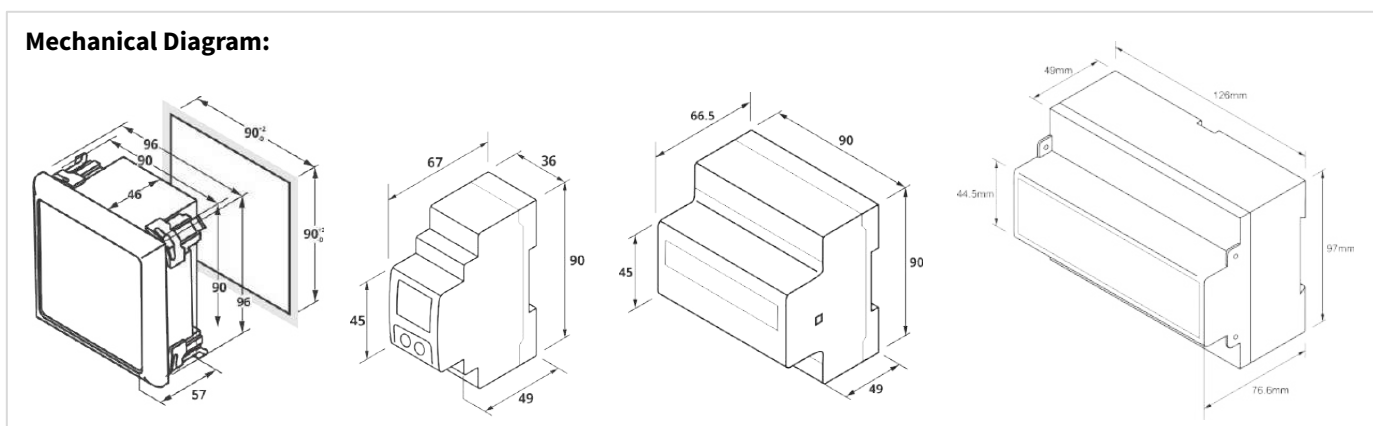
Model	Description	CATCODE	Unit LP - ₹
LD 2510D	Load Disconnecter,Class 1.0,RS485,80A Inbuilt, RTC	LD2510D11800	Price on Request
LD 2510D	Load Disconnecter,Class 1.0,Wi-Fi.,80A Inbuilt,RTC	LD2510D13800	

Note: Available in single phase (MOQ Apply).

Dual Source Energy Meter

Model	Description	CATCODE	Unit LP - ₹
Dual Source Energy Meter: 96x96mm			
LG 2520	Dual Source MFM, Class 1.0, RS485, 5A Inbuilt	LG2520P11000	7925
LG 2520	Dual Source MFM, Class 0.5, RS485, 5A Inbuilt	LG2520P21000	9200
LG 2520	Dual Source MFM, Class 1.0, RS485, 100A Hanging	LG2520P11A10	9375
LG 2599	Dual Source MFM, Class 1.0, RS485, 5A Inbuilt	LG2599P11000	4950
LG 2599	Dual Source MFM, Class 0.5, RS485, 5A Inbuilt	LG2599P21000	5800
LG 2599	Dual Source MFM, Class 1.0, RS485, 100A Hanging CT	LG2599P11A10	6250
Dual Source Energy Meter: 5DIN			
LG 5120D	Dual Source MFM, Class 1.0, RS485, 120A Direct	LG5120D11B00	9100

Mechanical Diagram:



EX-stock

CAT-2 (Delivery in 5 working days)

CAT-3 (Delivery in 14 working days)



BASIC METERS

Basic VAF meters for **reliable** and **cost-effective** panels.



VAF + PF Meter

- Universal Auxiliary (40-300V AC/DC) supply
- Universal Voltage Input (80-550V AC)
- Current Secondary (20mA to 6A)
- Average and phase wise measurement
- Password Protection

Ammeter / Voltmeter (3 row display)

Features of Voltmeter / Ammeter +

- **Universal auxiliary** input of 40 - 300V AC/DC
- Voltage and current terminals are opposite to each other for safety and easy wiring
- **Direct measurement** upto 60A Hanging CT
- **Patented alpha numeric display** for better visibility

Ammeter / Voltmeter

- **World smallest depth** (96x96x30mm)
- **Wide measurement range** 20mA to 6000mA
- **Higher clearance and creepage**; 9.5mm spacing
- Auxiliary input of **40 to 300V AC/DC**
- **Earth neutral measurement** models available (MOQ)

VAF + PF + W + VAR

- Universal Auxiliary (40-300V AC/DC) supply
- Universal Voltage Input (80-550V AC)
- Current Secondary (20mA to 6A)
- Average and phase wise measurement
- Password Protection
- RS485 optional

DC Voltmeter / Ammeter

- **Field programmable** full scale or offset value
- DC Vin - 10V / 48V / 100V / 500V / 800V, DC Ain - 50mV to 100mV (factory set)
- DC 0 to 20mA / 4 to 20mA analog input options- Programmable at site
- **Universal auxiliary input** of 40 to 300V AC/DC for 96x48mm size (Micro series)

Counter type Energy Meter

- First time In India: **Dual display**, counter & LED- Eliminating the use of multiple meters- Reduces cost and simplifies panel wiring
- **Monitors 5 key electrical parameters** of the genset.
- **Simultaneous display** of kWh and V / A / Hz for GD 3110
- Programmable for single phase & three phase applications.
- Reverse lock option

Basic + Power Meters

Model	Description	CATCODE	Unit LP - ₹
VAF + Power factor Meter, 96x96mm			
SL 1300	VAF Meter +PF, Class 1.0, 5A Inbuilt	SL1300S10000	2700
SL 1300	VAF Meter +PF, Class 0.5, 5A Inbuilt	SL1300S20000	3800
SL 1300	VAF Meter +PF, Class 1.0, 60A Hanging CT	SL1300S10610	4025
SL 1300	VAF Meter +PF, Class 1.0, 5A Inbuilt, RS485	SL1300S11000	4375
VAF + W,VA,PF & VAR, 96x96mm - only for LT application.			
SL 4300	VAF Meter + W,VA,PF & VAR, Class 1.0, 5A Inbuilt	SL4300S10000	3900
SL 4300	VAF Meter + W,VA,PF & VAR, Class 1.0, RS485, 5A Inbuilt	SL4300S11000	5400

Ammeter / Voltmeter: 3 Row Display

Model	Description	CATCODE	Unit LP - ₹
3 Row Ammeter / Voltmeter, 96x96mm			
SL 1340	Three Phase Voltmeter,3 Row, Class 1.0	SL1340S10000	2250
SL 1330	Three Phase Ammeter,3 Row, Class 1.0, 5A Inbuilt	SL1330S10000	2500

EX-stock

CAT-2 (Delivery in 5 working days)

CAT-3 (Delivery in 14 working days)

Ammeter / Voltmeter

Model	Description	CATCODE	Unit LP - ₹
Single Phase Ammeter/Voltmeter (96 x 96 mm)			
SL V	Single Phase Voltmeter, Class 1.0, AUX 40-300V AC/DC	SL000VS10000	1200
SL V	Single Phase Voltmeter, Class 0.5 AUX 40-300V AC/DC	SL000VS20000	1550
SL A	Single Phase Ammeter, Class 1.0, 5A Inbuilt AUX 40-300V AC/DC	SL000AS10000	1200
SL A	Single Phase Ammeter, Class 0.5, 5A Inbuilt AUX 40-300V AC/DC	SL000AS20000	1550
SL A	Single Phase Ammeter, Class 1.0, 60A Hanging, AUX 40-300V AC/DC	SL000AS10610	1800
Three Phase Ammeter/Voltmeter (96 x 96 mm)			
SL 3V	Three Phase Voltmeter, Class 1.0, AUX 40-300V AC/DC	SL003VS10000	1800
SL 3V	Three Phase Voltmeter, Class 0.5 AUX 40-300V AC/DC	SL003VS20000	2200
SL 3A	Three Phase Ammeter, Class 1.0, 5A Inbuilt AUX 40-300V AC/DC	SL003AS10000	2000
SL 3A	Three Phase Ammeter, Class 0.5, 5A Inbuilt AUX 40-300V AC/DC	SL003AS20000	2600
SL 3A	Three Phase Ammeter, Class 1.0, 60A Hanging, AUX 40-300V AC/DC	SL003AS10610	3200
Single Phase Ammeter/Voltmeter (96 x 48 mm)			
μAlpha V	Single Phase Voltmeter, Class 1.0, 96x48mm	MA000VP10000	1300
μAlpha A	Single Phase Ammeter, Class 1.0, 5A Inbuilt, 96x48mm	MA000AP10000	1300
μAlpha A	Single Phase Ammeter, Class 1.0, 60A Hanging CT, 96x48mm	MA000AP10610	1850
Three Phase Ammeter/Voltmeter (96 x 48 mm)			
μAlpha 3V	Three Phase Voltmeter, Class 1.0, 96x48mm	MA003VP10000	1930
μAlpha 3A	Three Phase Ammeter, Class 1.0, 5A Inbuilt, 96x48mm	MA003AP10000	2150
μAlpha 3A	Three Phase Ammeter, Class 1.0, 60A Hanging CT, 96x48mm	MA003AP10610	3300

Note: 24V Aux on request (MOQ) on selected models.

Frequency Meters

Model	Description	CATCODE	Unit LP - ₹
Frequency Meter, 96x96mm			
SL Hz	Frequency Meter, Class 0.2	SL00HZS40000	1700
Frequency Meter, 96x48mm			
μAlpha Hz	Frequency Meter, Class 0.2, 96x48mm	MA00HZP40000	1700

DC Ammeter / Voltmeter

Model	Description	CATCODE	Unit LP - ₹
DC Ammeter/Voltmeter, 96 x 96 mm			
SL ADC	DC Ammeter, Class 1.0, FS 75mV Shunt operated	SLOADCS80760	1750
SL ADC	DC Ammeter, Class 0.5, FS 75mV Shunt operated	SLOADCS90760	2250
SL VDC	DC Voltmeter, Class 1.0, FS VDC I/P	SLOVDCS80000	1750
SL VDC	DC Voltmeter, Class 0.5, FS VDC I/P	SLOVDCS90000	2250
DC Ammeter/Voltmeter, 96 x 48 mm			
μAlpha ADC	DC Ammeter, Class 1.0, FS, 96x48mm	MA0ADCP80000	1800
μAlpha VDC	DC Voltmeter, Class 1.0, FS, 96x48mm	MA0VDCP80000	1800

Note: External shunt to be used for ADC.

EX-stock

CAT-2 (Delivery in 5 working days)

CAT-3 (Delivery in 14 working days)

Counter Type Energy Meters

Model	Description	CATCODE	Unit LP - ₹
Smart 3E	Energy Meter ,Class 1.0, 5A Inbuilt, Counter type	SM003EP10000	3600
Smart 3E	Energy Meter Counter Type Class 1.0 5A Inbuilt Tamper Proof	SM003EP1000C	3800
GD 3110	Energy Meter,Counter + LED,Class 1.0, 5A Inbuilt	GD3110P10000	4475

Note: Class 0.5 available on request (MOQ).

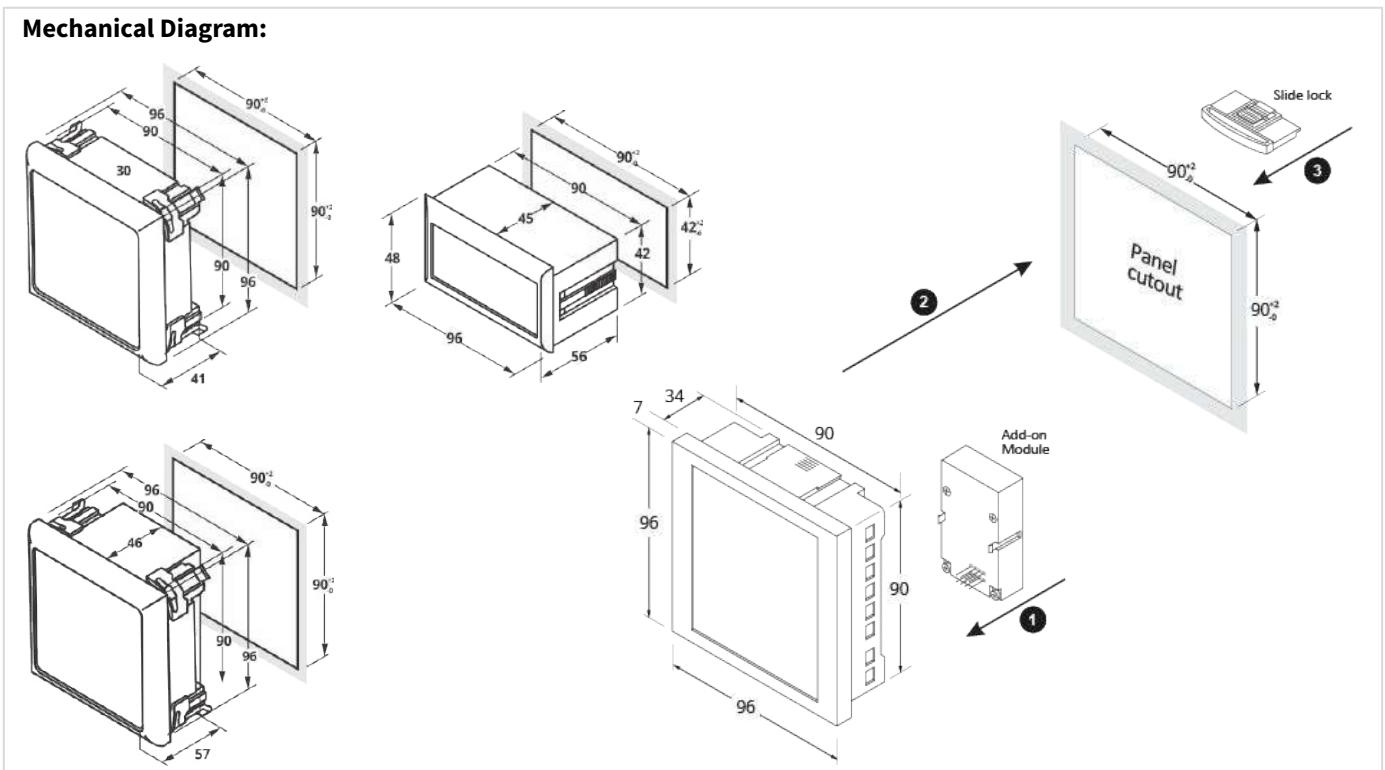


NEW GEN 5.0
Basic and Multifunction Meters

- Modularity: Adaptable to Your Needs.
- Flexibility in Panel Metering.
- Cohesive Design & Superior Aesthetics.
- Future-Proof: Prepared for Tomorrow's Challenges.
- Pluggable Communication, Better Safety Clearances.

Model	Description	CATCODE	Unit LP - ₹
SL AV+	Volts/Amps Meter, Class 1.0, Aux 40-300VAC/DC	SL00AV+10000	1450
SL AV+	Volts/Amps Meter, Class 0.5, Aux 40-300VAC/DC	SL00AV+20000	1800
SL 3V+	Three Phase Voltmeter,Class 1.0,Aux 40-300VAC/DC	SL003V+10000	1800
SL 3V+	Three Phase Voltmeter,Class 0.5,Aux 40-300VAC/DC	SL003V+20000	2200
SL 3A+	Three Phase Ammeter,Class 1.0,Aux 40-300VAC/DC	SL003A+10000	2000
SL 3A+	Three Phase Ammeter,Class 0.5,Aux 40-300VAC/DC	SL003A+20000	2600
DC Lower Aux	Pluggable 15-60VDC Aux		Price on Request*
RS485 Module	Pluggable RS485 Module		Price on Request*

*MOQ apply



EX-stock

CAT-2 (Delivery in 5 working days)

CAT-3 (Delivery in 14 working days)



DC ENERGY METERS

Complete and accurate readings of DC electrical parameters.

UPTO
1000V DC
Measurements


BI-DIRECTIONAL
Power monitoring


BEMS
Network connectivity

DC Energy Meters

- **Simultaneous sampling** of Volts and Amps
- **Bidirectional current measurement** to study charging and discharging
- **EDC 2150** displays Voltage, Current, Watts & Energy for 1 channel, **EDC 2450** displays Voltage for 1 channel, Current, Watts & Energy for 4 channel
- **Differential current input** for all the current channels- Interchannel interference is avoided

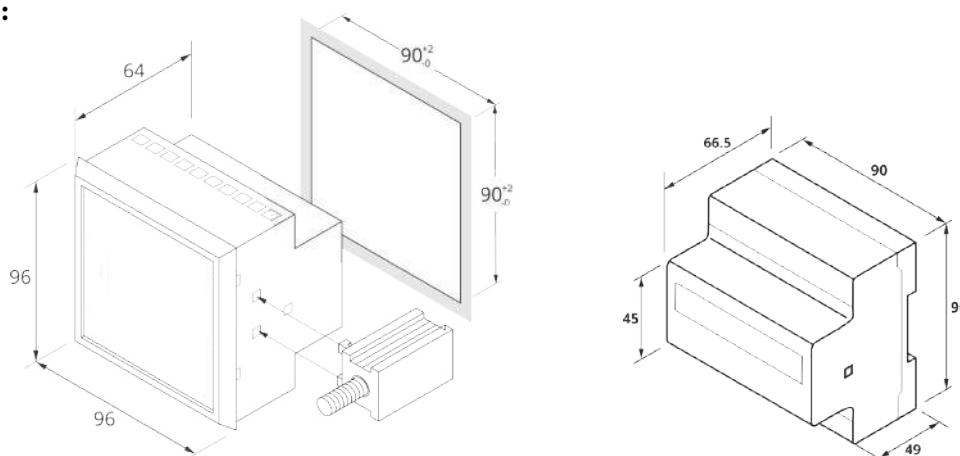
- **Auxiliary Supply: 15 - 60V DC**
- Current full scale programmable independently.
- Two variant like shunt and hall effect
- Datalog optional

DC Energy Meters

Model	Description	CATCODE	Unit LP - ₹
Single Channel DC Energy Meter: 96x96mm			
EDC 2150	Single Channel DC Energy Meter, Class 1.0, RS485, 75mV Shunt operated	ED2150P11760	7125
Single Channel DC Energy Meter: 5 DIN			
EDC 2150D	Single Channel DC Energy Meter, Class 1.0, RS485, 75mV Shunt operated	ED2150D11760	7125
Four Channel DC Energy Meter: 96x96mm			
EDC 2450	Four Channel DC Energy Meter, Class 1.0, 75mV Shunt operated	ED2450P10760	8650
EDC 2450	Four Channel DC Energy Meter, Class 1.0, RS485, 75mV Shunt operated	ED2450P11760	10600
Four Channel DC Energy Meter: 5 DIN			
EDC 2450D	Four Channel DC Energy Meter, Class 1.0, RS485, 75mV Shunt operated	ED2450D11760	10600
Four Channel DC Energy Meter with Hall Effect: 5 DIN			
EDC 2450H	Digital Meter, Class 1.0, RS485, 4 channel, DC energy meter, 100A Hall effect CT.	ED2450D11A50	Price on request
EDC 2450H	Digital Meter, Class 1.0, RS485, 4 channel, DC energy meter, 200A Hall effect CT.	ED2450D11D50	

Note: External shunt to be used.

Mechanical Diagram:



EX-stock

CAT-2 (Delivery in 5 working days)

CAT-3 (Delivery in 14 working days)



BRANCH CIRCUIT LOAD MANAGER

For high-density power metering where space really matters.



Branch Circuit Monitor

- **Pass-through wiring:** No separate spacing requirements for CT and CT cabling as EL-Tag offers direct pass through features (32A, 50A).
- **A highly compact device:** EL-Tag occupies only an area of 165mm x 25mm (compared to the conventional 3 metering devices (3 phase) and 9 metering devices (1 phase), thus reducing the space requirement by more than 80% compared to the other devices.

EL-Tag Master Meter

Features of PN8700 Plus

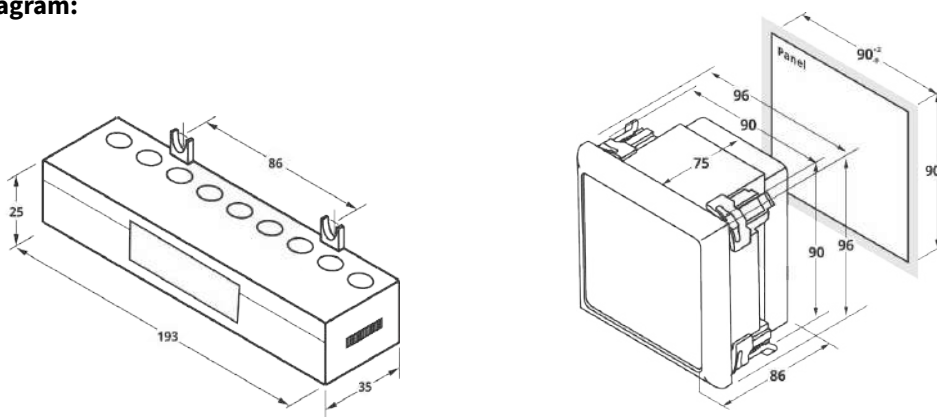
- Acts as Gateway for 12 numbers of EL-Tag
- Act as local display of key parameters of EL-Tag
- Incomer monitoring along with distribution monitoring.

Branch Circuit Power Meter

Model	Description	CATCODE	Unit LP - ₹
Branch Circuit Monitor: EL-Tag			
ET 5030	Multi Channel Load Manager,Class 1 RS485 50A Inbuilt Without Display - 9 Channel	ET5030D11500	Price On Request
ET 5030	Multi Channel Load Manager,Class 1 RS485 32A Inbuilt Without Display - 9 Channel	ET5030D11300	
High Profile Multifunction Meter: Master Meter, 96x96mm			
PN 8700M	High Profile Multifunction Meter (LED), Class 0.5S, RS485+Ethernet+USB, 5A Inbuilt (EL-Tag Master)	PN8700P3R00M	Price On Request
PN 8700M	High Profile Multifunction Meter, Class 1.0, RS485, 5A Inbuilt (EL-Tag Master)	PN8700P1100M	

Note: EL-Tag with display available on request (MOQ apply).
 EL-Tag without display with WiFi available on request (MOQ apply).

Mechanical Diagram:





TRANSducers & ISOLATORS

A precise sensing solution for automation/SCADA systems.



Transducers

- Meeting **IEC 60688** standard
- **Universal Auxiliary input** of 80 to 300V AC/DC or 15 to 60V DC
- **2kV Isolation** from : Input signal to output signal, Output 1 to Output 2
- Monitor and Programmable **display parameters at site (A,V,HZ,W,VA,PF, THD & VAr)** based on Models. Energy displays on some models
- Most **Compact Din Rail transducer**- 4 DIN
- Quick Response time of 300ms in display
- Load resistance upto 500Ω
- Configurable single phase/ three phase input and output
- Available upto **Dual output** and RS485 override selection for desired value and range
- On site **configurable Input and Output** parameters (TR4200)

Isolators

- **Universal Auxiliary** 80 to 300V AC/DC
- **Reliable and field proven safety mechanism** isolates input and output during high voltage or current to ensure equipment is safe
- **Most Compact Din Rail** Isolator- 4 DIN
- Available upto **Dual output and RS485**
- Isolators are available with input of 0-75mV / 4-20mA to 4-20mA isolated output

Transducers

Model	Description	CATCODE	Unit LP - ₹
Single Phase AC Voltage Transducer with Single Output			
TR 1110	AC voltage Transducer, Class 0.5% with single output with aux 60 to 300 V AC/DC	TR1110D40XX1087	2600
TR 1110	AC voltage Transducer, Class 0.5% with single output with aux 24 to 60 V DC	TR1110D40XX10CH	2850
TR 1110	AC voltage Transducer, Class 0.2% with single output with aux 60 to 300 V AC/DC	TR1110D30XX1087	3603
Single Phase AC Current Transducer with Single Output			
TR 1110	AC Current Transducer, Class 0.5% with single output with aux 60 to 300 V AC/DC	TR1110D40001000	2600
TR 1110	AC Current Transducer, Class 0.2% with single output with aux 60 to 300 V AC / DC	TR1110D30001000	2850
TR 1110	AC Current transducer, Class 0.5% with single output with aux 24V to 60 VDC	TR1110D40XX10DE	3250
TR 1110	AC Current transducer, Class 0.2% with single output with aux 24V to 60 VDC	TR1110D30XX10DE	3800
Single Phase AC Voltage Transducer with Dual Output			
TR 1200	AC voltage Transducer, Class 0.5% with dual output with aux 60 to 300 V AC/DC	TR1200D40XX1100	4200
TR 1200	AC voltage Transducer, Class 0.5% with dual output with aux 24 to 60 V DC	TR1200D40XX11CH	4650
Single Phase AC Current Transducer with Dual Output			
TR 1200	AC current transducer, accuracy class 0.5% with dual output with auc 60 to 300 V AC/C	TR1200D40001100	4200
TR 1200	AC current Transducer, Class 0.5% with dual output with aux 24 to 60 V DC	TR1200D400011CH	4650
Single Phase Frequency Transducer with Dual Output			
TR 1200	Frequency Transducer, accuracy class 0.2% with dual output with auc 60 to 300 V AC/DC	TR1200D30XX11CJ	4200
TR 1200	Frequency Transducer, Class 0.2% with dual output with aux 24 to 60 V DC	TR1200D30XX11CL	4650

Note: 3 Phase Current/Voltage transducer available on request.

EX-stock

CAT-2 (Delivery in 5 working days)

CAT-3 (Delivery in 14 working days)

Model	Description	CATCODE	Unit LP - ₹
Three Phase Power Transducer with Single Output			
TR 2100	Power/PF transducer of accuracy Class 0.5% with single output with aux 60 to 300 V AC/DC	TR2100D40001000	7260
TR 2100	Power / PF transducer of accuracy Class 0.5 % with single output with aux 24 to 60 VDC	TR2100D400010CH	7450
TR 2100	Power/PF transducer of accuracy Class 0.2% with single output with aux 60 to 300 V AC/DC	TR2100D30001000	7725
TR 2100	Power / PF transducer of accuracy Class 0.2 % with single output with aux 24 to 60 VDC	TR2100D300010CH	8150
Three Phase Power Transducer with Dual Output			
TR 2200	Power/PF transducer of accuracy Class 0.5% with dual output with aux 60 to 300 V AC/DC	TR2200D40001109	7725
TR 2200	Power / PF transducer of accuracy Class 0.5 % with dual output with aux 24 to 60 VDC	TR2200D400011CH	8150
TR 2200	Power/PF transducer of accuracy Class 0.2% with dual output with aux 60 to 300 V AC/DC	TR2200D30001109	8150
TR 2200	Power / PF transducer of accuracy Class 0.2 % with dual output with aux 24 to 60 VDC	TR2200D300011CH	8710
Programmable Multifunctional Transducer			
TR 4200	Multifunction Transducer, Class 0.5%, RS485, 5A Inbuilt, 2 AO with display	TR4200D41001109	15600
TR 4200	Multifunction Transducer, Class 0.2% RS485, 5A Inbuilt, 2 AO with display	TR4200D31001109	19500
Programmable Multifunctional Transducer with Energy Parameter			
TR 5200	Multifunction Transducer with energy parameter, Class 0.5%, RS485, 5A Inbuilt, 2 AO with display	TR5200D41001109	18000
TR 5200	Multifunction Transducer with energy parameter, Class 0.2%, RS485, 5A Inbuilt, 2 AO with display	TR5200D31001109	22500

Isolators

Model	Description	CATCODE	Unit LP - ₹
Isolator with Single Output			
ISO 100	Isolator with 4-20 mA DC and 4-20 mA (single output) with 0.5% accuracy with 60-300 V AC/DC	IS0100D402X1000	2200
ISO 100	Isolator with 4-20 mA DC and 4-20 mA (single output) with 0.5% accuracy with 24-60 V AC/DC	IS0100D402X10CH	2950
ISO 100	Isolator with 4-20 mA DC and 4-20 mA (single output) with 0.2% accuracy with 60-300 V AC/DC	IS0100D302X1000	2800
ISO 100	Isolator with 0-75 mV DC and 4-20 mA (single output) with 0.5% accuracy with 60-300 V AC/DC	IS0100D40NX1000	2200
ISO 100	Isolator with 0-75 mV DC and 4-20 mA (single output) with 0.5% accuracy with 24-60 V AC/DC	IS0200D40NX10CH	2950
ISO 100	Isolator with 0-75 mV DC and 4-20 mA (single output) with 0.2% accuracy with 60-300 V AC/DC	IS0100D30NX1000	2800
ISO 100	Isolator with 5-200 V DC with 4-20 mA (single output) with 0.5% accuracy with 24-60 V AC/DC (C)	IS0100D40XX10CM	2950
ISO 100	Isolator with 200 - 500 V DC with 4-20 mA (single output) with 0.5% accuracy with 60-300 V AC/DC (C)	IS0100D40XX10CI	2500
ISO 100	Isolator with 200 - 500 V DC with 4-20 mA (single output) with 0.5% accuracy with 24-60 V AC/DC (C)	IS0100D40XX10CN	2950

EX-stock

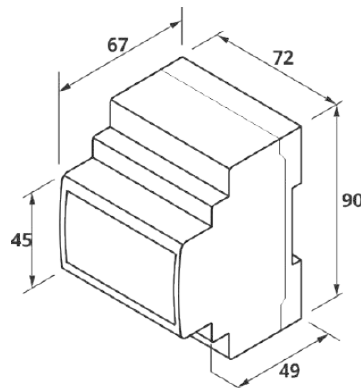
CAT-2 (Delivery in 5 working days)

CAT-3 (Delivery in 14 working days)

Model	Description	CATCODE	Unit LP - ₹
Isolator with Dual Output			
ISO 200	Isolator with 4-20 mA DC and 4-20 mA (dual output) with 0.5% accuracy with 60-300 V AC/DC	IS0200D402X1100	3500
ISO 200	Isolator with 4-20 mA DC and 4-20 mA (dual output) with 0.2% accuracy with 60-300 V AC/DC	IS0200D302X1100	4050
ISO 200	Isolator with 4-20 mA DC and 4-20 mA (dual output) with 0.5% accuracy with 24-60 V AC/DC	IS0200D402X11CH	3500
ISO 200	Isolator with 0-75 mV DC and 4-20 mA (dual output) with 0.5% accuracy with 60-300 V AC/DC	IS0200D40NX1100	3700
ISO 200	Isolator with 0-75 mV DC and 4-20 mA (dual output) with 0.5% accuracy with 24-60 V AC/DC	IS0200D40NX11CH	3900
ISO 200	Isolator with 0-75 mV DC and 4-20 mA (dual output) with 0.2% accuracy with 60-300 V AC/DC	IS0200D30NX1100	4150
ISO 200	Isolator with 5-200 V DC with 4-20 mA (dual output) with 0.5% accuracy with 60-300 V AC/DC (C)	IS0200D40XX11BO	3910
ISO 200	Isolator with 5-200 V DC with 4-20 mA (dual output) with 0.5% accuracy with 24-60 V AC/DC (C)	IS0200D40XX11CM	3860
ISO 200	Isolator with 200 - 500 V DC with 4-20 mA (dual output) with 0.5% accuracy with 60-300 V AC/DC (C)	IS0200D40XX11CI	3915
ISO 200	Isolator with 200 - 500 V DC with 4-20 mA (dual output) with 0.5% accuracy with 24-60 V AC/DC (C)	IS0200D40XX11CN	3915

Note: ISO 200 with RS485 available on request.

Mechanical Diagram:





EARTH LEAKAGE / FAULT RELAYS

Protecting **lives** & **equipment** from earth leakage hazards.



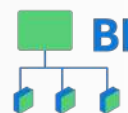
**INVERSE
CURVE**

Time-graded protection



PROTECTION

Against leakage current



BEMS

Network connectivity

Earth Leakage Relay

- **Field programmable** trip current and trip time through front panel keys with password protection.
- **Intelligent Tripping ; Inverse Curve** - Trip time is inversely proportional to fault current.
- Manual test & reset keys
- Continuous scrolling display for set current and set time
- Continuous earth Leakage value display helps online loss analysis.
- RS485 is optional

Core Balanced Current Transformer (CBCT)

Tape Wound Round CBCT.
Tape Wound Rectangular CBCT.
Plastic Enclosure CBCT.

Earth Leakage Relays (ELR)

Model	Description	CATCODE	Unit LP - ₹
Earth Leakage Relay, 96x96mm Panel mounted			
iELR 300	Earth Leakage Relay, Panel Mounting, 30mA to 30A Class 5FS NEW	ELR300P70300	3000
iELR 300	Earth Leakage Relay, Panel Mounting, 30mA to 30A, Class 5FS, RS 485	EL0300P71300	5400
Earth Leakage Relay, 2 DIN			
iELR 200D	Earth Leakage Relay, DIN-Rail Mounting, 30mA to 3A, Class 5FS	ELR200D70000	3500
iELR 200D	Earth Leakage Relay, DIN-Rail Mounting, 300mA to 30A, Class 5FS	ELR200D70300	3500

Earth Fault Relays (EFR)

Model	Description	CATCODE	Unit LP - ₹
Earth Fault Relay (EFR), 96x96mm Panel mounted NEW			
EFR 100	Earth Fault Relay, Class 1.0	EFR100P10000	5500
EFR 100	Earth Fault Relay, Class 1.0 ,RS485	EFR100P11000	7000

Core Balance Current Transformers (CBCT)

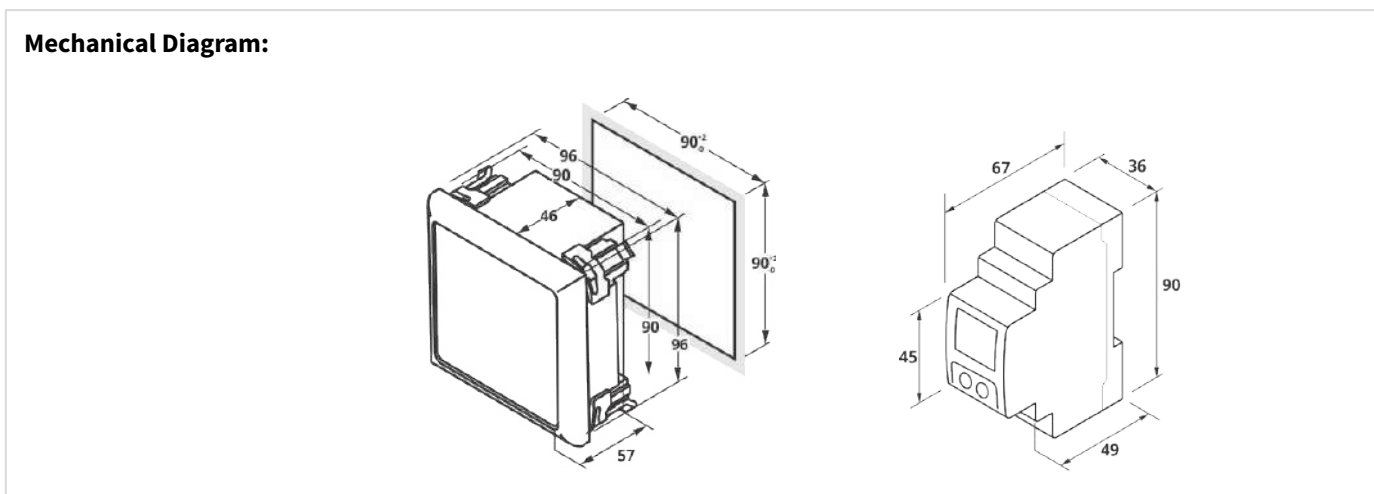
Model	Description	CATCODE	Unit LP - ₹
Tape Wound Round CBCT			
CBCT-60mm	Tape Wound Round CBCT	CBCTT0060XX0435	1440
CBCT-100mm	Tape Wound Round CBCT	CBCTT0100XX0436	1475
CBCT-150mm	Tape Wound Round CBCT	CBCTT0150XX0437	1650
CBCT-200mm	Tape Wound Round CBCT	CBCTT0200XX0438	2675
CBCT-250mm	Tape Wound Round CBCT	CBCTT0250XX0439	2950
CBCT-300mm	Tape Wound Round CBCT	CBCTT0300XX0440	3200
Plastic Enclosure Round CBCT			
CBCT-35mm	Plastic enclosure Round CBCT	CBCTP0060XX0450	1670
CBCT-70mm	Plastic enclosure Round CBCT	CBCTP0100XX0441	1900
CBCT-120mm	Plastic enclosure Round CBCT	CBCTP0250XX0444	2900
CBCT-210mm	Plastic enclosure Round CBCT	CBCTP0300XX0445	3120

EX-stock

CAT-2 (Delivery in 5 working days)

CAT-3 (Delivery in 14 working days)

Model	Description	CATCODE	Unit LP - ₹
Tape Wound Rectangular CBCT			
CBCT-250 X 100mm	Tape Wound rectangular CBCT	CBCTT0250100446	Price On Request
CBCT-300 X 100mm	Tape Wound rectangular CBCT	CBCTT0300100483	
CBCT-350 X 150mm	Tape Wound rectangular CBCT	CBCTT0350150447	
CBCT-400 X 200mm	Tape Wound rectangular CBCT	CBCTT0400200485	
CBCT-500 X 200mm	Tape Wound rectangular CBCT	CBCTT0500200448	
CBCT-ID 200x100m	Tape Wound Rectangular CBCT	CBCTT0200100537	
CBCT-ID 350x100m	Tape Wound rectangular CBCT	CBCTT0350100484	
CBCT-ID 400x150m	Tape wound Rectangular CBCT	CBCTT0400150490	
CBCT-ID 500x250m	Tape Wound rectangular CBCT	CBCTT0500250530	
CBCT-ID 600x200m	Tape Wound rectangular CBCT	CBCTT0600200477	
CBCT-ID 750x250m	Tape Wound rectangular CBCT	CBCTT0750250522	





UTILITY/REVENUE METERS

For a smarter way of energy and revenue management.



Certified products



CONNECTIVITY

LoRaWAN | GPRS



Electricity | Water | Gas

Smart Meter

- **DLMS communication protocol**
- **Postpaid / Prepaid**
- Separate registers for import and export of power along with MRI downloading feature in these registers.
- Supports 10 different **Anti Tampering features** and supports more than 500 records all together.
- Display the Cumulative **Active Energy** even if the main power is absent.
- Communication options:, **RS485, 4G, RF**
- Offers an integrated load profile with up to 7 parameters.
- Allows electricity generated from solar / wind power encourages users to use small scale renewable generating system.
- Periodic and event push to HES

Prepaid Meter

- Default dual source
- Communication options:, **RS485 and RF**
- **Three in one option:** Integrate gas & water upto 4 DI
- Programmable tariff for EB, DG and DI for automatic reduction of balance even server is offline
- Configurable Holidays, Happy hours to avoid load switching on Holidays/Night
- **Alarm notifications** for low credit balance
- Eliminate tenant disputes, meter tampering & manual tariff reading errors

RF Communication


- No dependency with service provider. User can create his own network
- Low data rates
- **Completely encrypted** End to End solutions
- Gateway with Ethernet Default and Optional **4G connectivity**
- Data delivery to the **PC through MQTT**, More devices can be connected to one single server
- Long range
- **Multiple applications network** for EB / DG broadcasting for PPM meters
- High capacity, low cost, low power




ISI Certification

IS 13779 | IS 15884 | IS 16444


Three Phase Smart Meter (IS 16444) : Direct Current Operated

	Model	Description	CATCODE	Unit LP - ₹
	PE 5120S	Three Phase Smart meter, Class 1.0, RS485, 5/60A Inbuilt, GPRS 4G, Optical port with DLMS	PE5120S156S0	27800
	PE 5120S	Three Phase Smart meter, Class 1.0, RS485, 5/60A Inbuilt, RF, Optical port with DLMS	PE5120S146S0	25800

Three Phase Smart Meter : Direct Current Operated

	Model	Description	CATCODE	Unit LP - ₹
	PE 5120S	Three Phase Smart meter, Dual Source, Class 1.0, RS485, 5/60A Inbuilt, Optical port with DLMS	PE5120S11600	18200
	PE 5120S	Three Phase Smart meter, Dual Source, Class 1.0, RS485, 5/60A Inbuilt, RF, Optical port with DLMS	PE5120S14600	26800
	PE 5120S	Three Phase Smart meter, Dual Source, Class 1.0, RS485, 5/60A Inbuilt, GPRS 4G, Optical port with DLMS	PE5120S15600	28800

Single Phase Smart Meter (IS 16444) : Direct Current Operated

	Model	Description	CATCODE	Unit LP - ₹
	PE 5121S	Single Phase Smart meter, Class 1.0, RS485, 5/60A Inbuilt, RF, Optical port with DLMS	PE5121S146S0	14550
	PE 5121S	Single Phase Smart meter, Class 1.0, RS485, 5/60A Inbuilt, GPRS 4G, Optical port with DLMS	PE5121S156S0	16550

EX-stock

CAT-2 (Delivery in 5 working days)

CAT-3 (Delivery in 14 working days)

Single Phase Smart Meter : Direct Current Operated

Model	Description	CATCODE	Unit LP - ₹
PE 5121S	Single Phase Smart meter, Dual Source, Class 1.0, RS485, 5/60A Inbuilt, Optical port with DLMS	PE5121S11600	11900
PE 5121S	Single Phase Smart meter, Dual Source, Class 1.0, RS485, 5/60A Inbuilt, RF, Optical port with DLMS	PE5121S14000	15500
PE 5121S	Single Phase Smart meter, Dual Source, Class 1.0, RS485, 5/60A Inbuilt, GPRS 4G, Optical port with DLMS	PE5121S15600	17550

Three Phase Prepaid Meter: Direct Current Operated

Model	Description	CATCODE	Unit LP - ₹
PE 5120-P	Three Phase Dual Source Prepaid Meter, Class 1.0, RS485, 10/60A Direct	PE5120P11600	16700
PE 5120-P	Three Phase Dual Source Prepaid Meter, Class 1.0, RS485, 10/60A Direct 4DI	PE5120P1160E	18350
PE 5120-P	Three Phase Dual Source Prepaid Meter, Class 1.0, RS485, 10/60A Direct, LoRa	PE5120P14600	25300
PE 5120-P	Three Phase Dual Source Prepaid Meter, Class 1.0, RS485, 10/60A Direct, 2DI, LoRa	PE5120P1460D	26700
PE 5120-P	Three Phase Dual Source Prepaid Meter, Class 1.0, RS485, 20/80A Direct	PE5120P11800	23375

Three Phase Prepaid Meter: CT Operated

Model	Description	CATCODE	Unit LP - ₹
PE 5120-P	Three Phase Dual Source Prepaid Meter, Class 1.0, RS485, 5A CT Operated	PE5120P11000	14750
PE 5120-P	Three Phase Dual Source Prepaid Meter, Class 1.0, RS485, 5A CT Operated, LoRa	PE5120P14000	18100

Single Phase Prepaid Meter: Direct Current Operated

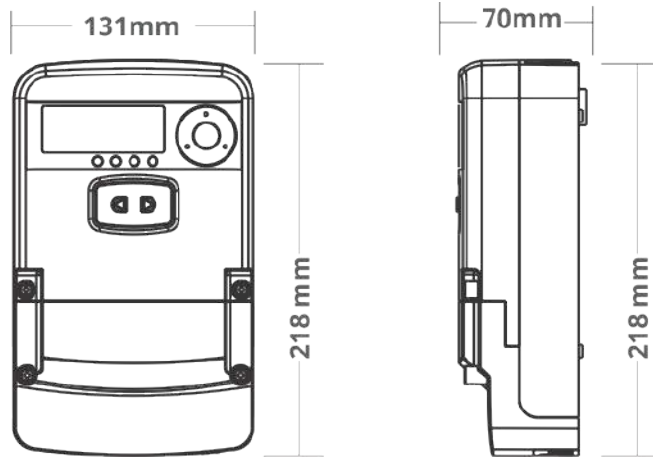
Model	Description	CATCODE	Unit LP - ₹
PE 5121-P	Single Phase Dual Source Prepaid Meter, Class 1.0, RS485, 10/60A Direct	PE5121P11600	9750
PE 5121-P	Single Phase Dual Source Prepaid Meter, Class 1.0, RS485, 10/60A, Direct, 2DI	PE5121P1160D	12250
PE 5121-P	Single Phase Dual Source Prepaid Meter, Class 1.0, RS485, 10/60A Direct, LoRa	PE5121P14600	13050

Model	Description	CATCODE	Unit LP - ₹
PE 5121-P	Single Phase Dual Source Post Paid Meter, Class 1.0, RS485, 10/60A Direct	PE5121P116P0	7500

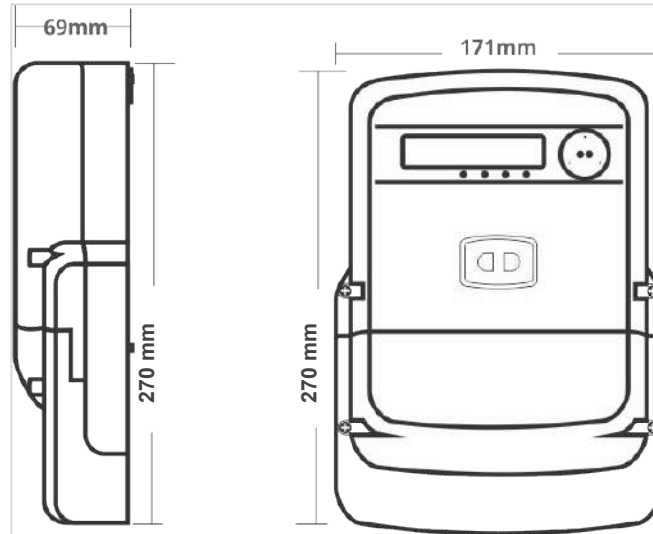
EX-stock
CAT-2 (Delivery in 5 working days)
CAT-3 (Delivery in 14 working days)

Mechanical Diagram:

Single Phase



Three Phase






AUTOMATIC TRANSFER SWITCHES

Seamless **uninterrupted power** for your critical facilities.

**INBUILT
AMF**
Controller


IEC 60947-6-1
TSE standards

63A 3200A
Wide range of applications

Automatic Transfer Switches (Motorised)

- Motorized changeover with Inbuilt micro-processor based ATS controller
- AC-32B utilization category as per IEC-60947-6-1
- Mode of operation - Auto/Manual/Remote /Cloud connectivity
- Protection against under/over voltage, under/ over frequency and phase sequence - S1 & S2
- Optional RS485 & WiFi communication and cloud connectivity for IoT applications

ATS (Solenoid)

- High speed solenoid automatic transfer switch for ultra critical application ranges from 63A-6300A
- Open/Closed/Delayed transition with optional neutral overlapping & maintenance bypass
- Local/ Remote serial communication & cloud connectivity
- High-Speed (5-15ms) ATS for UPS to UPS uninterrupted source changeover

Automatic Transfer Switch with Inbuilt LCD Controller - GEN 2.0 ATeS

Model	Description	CATCODE	Unit LP - ₹
ATeSL-63A	40A Automatic Transfer Switch 4P Motorized with Inbuilt LCD Controller - Incoming from Top	AT0063T00040	25250
ATeSL-63A	40A Automatic Transfer Switch 4P Motorized with Inbuilt LCD Controller - Incoming from Bottom	AT0063B00040	25250
ATeSL-63A	40A Automatic Transfer Switch 4P Motorized with Inbuilt LCD Controller - Universal	AT0063U00040	25250
ATeSL-63A	63A Automatic Transfer Switch 4P Motorized with Inbuilt LCD Controller - Incoming from Top	AT0063T00063	26575
ATeSL-63A	63A Automatic Transfer Switch 4P Motorized with Inbuilt LCD Controller - Incoming from Bottom	AT0063B00063	26575
ATeSL-63A	63A Automatic Transfer Switch 4P Motorized with Inbuilt LCD Controller - Universal	AT0063U00063	26575
ATeSL-125A	100A Automatic Transfer Switch 4P Motorized with Inbuilt LCD Controller - Incoming from Top	AT0125T00100	28450
ATeSL-125A	100A Automatic Transfer Switch 4P Motorized with Inbuilt LCD Controller - Incoming from Bottom	AT0125B00100	28450
ATeSL-125A	100A Automatic Transfer Switch 4P Motorized with Inbuilt LCD Controller - Universal	AT0125U00100	28450
ATeSL-125A	125A Automatic Transfer Switch 4P Motorized with Inbuilt LCD Controller - Incoming from Top	AT0125T00125	30000
ATeSL-125A	125A Automatic Transfer Switch 4P Motorized with Inbuilt LCD Controller - Incoming from Bottom	AT0125B00125	30000
ATeSL-125A	125A Automatic Transfer Switch 4P Motorized with Inbuilt LCD Controller - Universal	AT0125U00125	30000
ATeSL-160A	160A Automatic Transfer Switch 4P Motorized with Inbuilt LCD Controller - Incoming from Top	AT0160T00160	44100
ATeSL-160A	160A Automatic Transfer Switch 4P Motorized with Inbuilt LCD Controller - Incoming from Bottom	AT0160B00160	44100
ATeSL-160A	160A Automatic Transfer Switch 4P Motorized with Inbuilt LCD Controller - Universal	AT0160U00160	44100
ATeSL-250A	200A Automatic Transfer Switch 4P Motorized with Inbuilt LCD Controller - Incoming from Top	AT0250T00200	47800
ATeSL-250A	200A Automatic Transfer Switch 4P Motorized with Inbuilt LCD Controller - Incoming from Bottom	AT0250B00200	47800
ATeSL-250A	200A Automatic Transfer Switch 4P Motorized with Inbuilt LCD Controller - Universal	AT0250U00200	47800
ATeSL-250A	250A Automatic Transfer Switch 4P Motorized with Inbuilt LCD Controller - Incoming from Top	AT0250T00250	53550
ATeSL-250A	250A Automatic Transfer Switch 4P Motorized with Inbuilt LCD Controller - Incoming from Bottom	AT0250B00250	53550
ATeSL-250A	250A Automatic Transfer Switch 4P Motorized with Inbuilt LCD Controller - Universal	AT0250U00250	53550

EX-stock


CAT-2 (Delivery in 5 working days)

CAT-3 (Delivery in 14 working days)



Model	Description	CATCODE	Unit LP - ₹
ATeSL-630A	315A Automatic Transfer Switch 4P Motorized with Inbuilt LCD Controller - Incoming from Top	AT0630T00315	70375
ATeSL-630A	315A Automatic Transfer Switch 4P Motorized with Inbuilt LCD Controller - Incoming from Bottom	AT0630B00315	70375
ATeSL-630A	315A Automatic Transfer Switch 4P Motorized with Inbuilt LCD Controller - Universal	AT0630U00315	70375
ATeSL-630A	400A Automatic Transfer Switch 4P Motorized with Inbuilt LCD Controller - Incoming from Top	AT0630T00400	77880
ATeSL-630A	400A Automatic Transfer Switch 4P Motorized with Inbuilt LCD Controller - Incoming from Bottom	AT0630B00400	77880
ATeSL-630A	400A Automatic Transfer Switch 4P Motorized with Inbuilt LCD Controller - Universal	AT0630U00400	77880
ATeSL-630A	630A Automatic Transfer Switch 4P Motorized with Inbuilt LCD Controller - Incoming from Top	AT0630T00630	79200
ATeSL-630A	630A Automatic Transfer Switch 4P Motorized with Inbuilt LCD Controller - Incoming from Bottom	AT0630B00630	79200
ATeSL-630A	630A Automatic Transfer Switch 4P Motorized with Inbuilt LCD Controller - Universal	AT0630U00630	79200
ATeSL-1250A	800A Automatic Transfer Switch 4P Motorized with Inbuilt LCD Controller - Incoming from Top	AT1250T00800	200925
ATeSL-1250A	800A Automatic Transfer Switch 4P Motorized with Inbuilt LCD Controller - Incoming from Bottom	AT1250B00800	200925
ATeSL-1250A	800A Automatic Transfer Switch 4P Motorized with Inbuilt LCD Controller - Universal	AT1250U00800	200925
ATeSL-1250A	1000A Automatic Transfer Switch 4P Motorized with Inbuilt LCD Controller - Incoming from Top	AT1250T01000	210220
ATeSL-1250A	1000A Automatic Transfer Switch 4P Motorized with Inbuilt LCD Controller - Incoming from Bottom	AT1250B01000	210220
ATeSL-1250A	1000A Automatic Transfer Switch 4P Motorized with Inbuilt LCD Controller - Universal	AT1250U01000	210220
ATeSL-1250A	1250A Automatic Transfer Switch 4P Motorized with Inbuilt LCD Controller - Incoming from Top	AT1250T01250	217565
ATeSL-1250A	1250A Automatic Transfer Switch 4P Motorized with Inbuilt LCD Controller - Incoming from Bottom	AT1250B01250	217565
ATeSL-1250A	1250A Automatic Transfer Switch 4P Motorized with Inbuilt LCD Controller - Universal	AT1250U01250	217565
ATeSL-1600A	1600A Automatic Transfer Switch 4P Motorized with Inbuilt LCD Controller - Incoming from Top	AT1600T01600	254843
ATeSL-1600A	1600A Automatic Transfer Switch 4P Motorized with Inbuilt LCD Controller - Incoming from Bottom	AT1600B01600	254843
ATeSL-1600A	1600A Automatic Transfer Switch 4P Motorized with Inbuilt LCD Controller - Universal	AT1600U01600	254843

Automatic Transfer Switch GEN 1.0 ATeS




Model	Description	CATCODE	Unit LP - ₹
ATeS-63A	40A Automatic Transfer Switch 4P Motorized with Inbuilt Controller - Incoming from Top	ATS063O005X0017	22150
ATeS-63A	40A Automatic Transfer Switch 4P Motorized with Inbuilt Controller - Incoming from Bottom	ATS063O005X00BK	22150
ATeS-63A	63A Automatic Transfer Switch 4P Motorized with Inbuilt Controller - Incoming from Top	ATS063O008X0017	23500
ATeS-63A	63A Automatic Transfer Switch 4P Motorized with Inbuilt Controller - Incoming from Bottom	ATS063OX08X00BK	23500
ATeS-125A	100A Automatic Transfer Switch 4P Motorized with Inbuilt Controller - Incoming from Top	ATS125OX0AX0017	25350
ATeS-125A	100A Automatic Transfer Switch 4P Motorized with Inbuilt Controller - Incoming from Bottom	ATS100OX0A500BK	25350
ATeS-125A	125A Automatic Transfer Switch 4P Motorized with Inbuilt Controller - Incoming from Top	ATS125OX0CX0017	26950
ATeS-125A	125A Automatic Transfer Switch 4P Motorized with Inbuilt Controller - Incoming from Bottom	ATS125OX0CC00BK	26950


■ EX-stock

■ CAT-2 (Delivery in 5 working days)

■ CAT-3 (Delivery in 14 working days)

	Model	Description	CATCODE	Unit LP - ₹
	ATeS-160A	160A Automatic Transfer Switch 4P Motorized with Inbuilt Controller - Incoming from Top	ATS160OX0KX0017	41050
	ATeS-160A	160A Automatic Transfer Switch 4P Motorized with Inbuilt Controller - Incoming from Bottom	ATS160OX0KX00BK	41050
	ATeS-250A	200A Automatic Transfer Switch 4P Motorized with Inbuilt Controller - Incoming from Top	ATS250OX0DX0017	44700
	ATeS-250A	200A Automatic Transfer Switch 4P Motorized with Inbuilt Controller - Incoming from Bottom	ATS250OX0D500BK	44700
	ATeS-250A	250A Automatic Transfer Switch 4P Motorized with Inbuilt Controller - Incoming from Top	ATS250OX0EX0017	50500
	ATeS-250A	250A Automatic Transfer Switch 4P Motorized with Inbuilt Controller - Incoming from Bottom	ATS250OX0EC00BK	50500
	ATeS-630A	315A Automatic Transfer Switch 4P Motorized with Inbuilt Controller - Incoming from Top	ATS630OX0RX0017	67400
	ATeS-630A	315A Automatic Transfer Switch 4P Motorized with Inbuilt Controller - Incoming from Bottom	ATS630OX0R500BK	67400
	ATeS-630A	400A Automatic Transfer Switch 4P Motorized with Inbuilt Controller - Incoming from Top	ATS630OX0FX0017	74900
	ATeS-630A	400A Automatic Transfer Switch 4P Motorized with Inbuilt Controller - Incoming from Bottom	ATS630OX0FX00BK	74900
	ATeS-630A	630A Automatic Transfer Switch 4P Motorized with Inbuilt Controller - Incoming from Top	ATS630OX0GX0017	76200
	ATeS-630A	630A Automatic Transfer Switch 4P Motorized with Inbuilt Controller - Incoming from Bottom	ATS630OX0GC00BK	76200
	ATeS-1250A	800A Automatic Transfer Switch 4P Motorized with Inbuilt Controller - Incoming from Top	AT1250OX0HX0017	197900
	ATeS-1250A	800A Automatic Transfer Switch 4P Motorized with Inbuilt Controller - Incoming from Bottom	AT1250OX0HX00BK	197900
	ATeS-1250A	1000A Automatic Transfer Switch 4P Motorized with Inbuilt Controller - Incoming from Top	AT1250OX0IX0017	207250
	ATeS-1250A	1000A Automatic Transfer Switch 4P Motorized with Inbuilt Controller - Incoming from Bottom	AT1250OX0IX00BK	207250
	ATeS-1250A	1250A Automatic Transfer Switch 4P Motorized with Inbuilt Controller - Incoming from Top	AT1250OX0JX0017	214600
	ATeS-1250A	1250A Automatic Transfer Switch 4P Motorized with Inbuilt Controller - Incoming from Bottom	AT1250OX0JC00BK	214600
	ATeS-1600A	1600A Automatic Transfer Switch 4P Motorized with Inbuilt Controller - Incoming from Top	AT1600OX0WX0017	251850
	ATeS-1600A	1600A Automatic Transfer Switch 4P Motorized with Inbuilt Controller - Incoming from Bottom	AT1600OX0WC00BK	251850
	ATeS-2000A	2000A Automatic Transfer Switch 4P Motorized with Inbuilt Controller - Incoming from Top	AT2000OX0QX0017	450000
	ATeS-2000A	2000A Automatic Transfer Switch 4P Motorized with Inbuilt Controller - Incoming from Bottom	AT2000OX0QX00BK	450000
	ATeS-2500A	2500A Automatic Transfer Switch 4P Motorized with Inbuilt Controller - Incoming from Top	AT2500OX0VX0017	500000
	ATeS-2500A	2500A Automatic Transfer Switch 4P Motorized with Inbuilt Controller - Incoming from Bottom	AT2500OX0VX00BK	500000
	ATeS-3200A	3200A Automatic Transfer Switch 4P Motorized with Inbuilt Controller - Incoming from Top	AT3200OX0LX0017	600000
	ATeS-3200A	3200A Automatic Transfer Switch 4P Motorized with Inbuilt Controller - Incoming from Bottom	AT3200OX0LX00BK	600000

ATEs remote display unit


	Model	Description	CATCODE	Unit LP - ₹
	ATeS-RDU	ATEs remote display	ACCR-0000339	7950

EX-stock

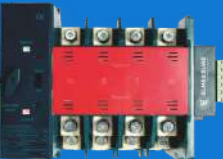
CAT-2 (Delivery in 5 working days)

CAT-3 (Delivery in 14 working days)

Remotely Operated Automatic Transfer Switch

	Model	Description	CATCODE	Unit LP - ₹
	ATeS R 63A	63A Remotely Operated 4P Motorized Changeover Switch - A Type	ATR063O008X0017	20400
	ATeS R 100A	100A Remotely Operated 4P Motorized Changeover Switch - A Type	ATR100O00AX0017	22000
	ATeS R 125A	125A Remotely Operated 4P Motorized Changeover Switch - A Type	ATR125O00CX0017	23700
	ATeS R 160A	160A Remotely Operated 4P Motorized Changeover Switch - A Type	ATR160O00KX0017	37100
	ATeS R 200A	200A Remotely Operated 4P Motorized Changeover Switch - A Type	ATR200O00DX0017	41000
	ATeS R 250A	250A Remotely Operated 4P Motorized Changeover Switch - A Type	ATR250O00EX0017	46200

Solenoid based Automatic Transfer Switch (Open / Closed Transition)

	Model	Rating (Amps)	Description	CATCODE	Unit LP - ₹
	ATS-W2H-OTT*	63 - 500A	ATS 4 Pole 2 Position Open Transfer Switch		Price on request
	ATS-WN3-OTT#	630 - 6300A	ATS 4 Pole Open Transfer Switch		
	ATS-WN3-CTTS	63 - 6300A	ATS 4 Pole Closed Transition Transfer Switch		
	ATS-WN3-B-CTTS	63 - 6300A	ATS 4 Pole Closed Transition with Maintenance Bypass		

Note: * ATS Controller Optional # Neutral Overlapping Optional



MANUAL TRANSFER SWITCHES

Highly durable, easy to use and uncompromisingly safe.



Rugged industrial design



Wide range of applications



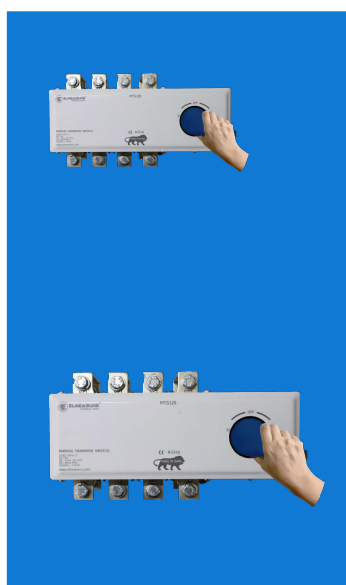
AUXILLARY
Indication contact

Manual Transfer Switches

- 3 Position/4 Pole On-load changeover Switch
- Utilization category - AC 23 (Withstand high in-rush current)
- Modular and compact design
- Design to withstand high thermal condition
- Tolerance to high electrical and mechanical characteristics
- Inbuilt auxiliary contact for source 1 and source 2 indication output

- The safest changeover during the failure of a primary source
- High short-circuit withstand capacity
- Facilitates easy installation and simplified wiring connections
- Reliable and maintenance free operation
- High electrical and mechanical life

4 Pole Manual Transfer Switch



Model	Description	CATCODE	Unit LP - ₹
MTS 63A	63A 4 Pole Manual Transfer Switch	MTS0630008X0096	6100
MTS 100A	100A 4 Pole Manual Transfer Switch	MTS100000AX0096	8000
MTS 125A	125A 4 Pole Manual Transfer Switch	MTS125000CX0096	11350
MTS 160A	160A 4 Pole Manual Transfer Switch	MTS160000KX0096	12750
MTS 200A	200A 4 Pole Manual Transfer Switch	MTS200000DX0096	15150
MTS 250A	250A 4 Pole Manual Transfer Switch	MTS250000EX0096	22000
MTS 315A	315A 4 Pole Manual Transfer Switch	MTS315000RX0096	22700
MTS 400A	400A 4 Pole Manual Transfer Switch	MTS400000FX0096	33500
MTS 630A	630A 4 Pole Manual Transfer Switch	MTS630000GX0096	40850
MTS 800A	800A 4 Pole Manual Transfer Switch	MTS8000X0HX0096	95000
MTS 1000A	1000A 4 Pole Manual Transfer Switch	MT1000X0XX0096	100000
MTS 1250A	1250A 4 Pole Manual Transfer Switch	MT1250X0XX0096	132000
MTS 1600A	1600A 4 Pole Manual Transfer Switch	MT1600X0XX0096	150000
MTS 2000A	2000A 4 Pole Manual Transfer Switch	MT2000X0LX0096	250000
MTS 2500A	2500A 4 Pole Manual Transfer Switch	MT2500X0MX0096	255000
MTS 3200A	3200A 4 Pole Manual Transfer Switch	MT3200X0OX0096	450000

EX-stock

CAT-2 (Delivery in 5 working days)

CAT-3 (Delivery in 14 working days)



AUTOMATIC CHANGEOVER WITH CURRENT LIMITER

The best solution for frustrating **manual** source changeovers.



Automatic Changeover with Current Limiter

- Microprocessor based ACCL with current limiter
- Intelligent tripping: inverse curve (*Higher the overload, faster the trip*)
- Inbuilt display of A, V, F, Wh, kWh
- Under/over voltage protection for EB and DG (M300)
- Single phase contactor based ACCL with off-load switching
- On site field programmable features in single phase ACCL through configurator (ACCL 400 & 400C)
- EB & DG side energy measurement (M300L)

- Conformity standard as per IEC 60947-6-1
- Wide range of operational voltage (180-270)VAC
- Energy, Current, Voltage measurement on DG & Current and voltage measure on EB (M300)
- Optional prepaid billing feature for DG (RS-485) with software
- More than 20000 operations
- ACCL with WiFi - configure through mobile app

Automatic Changeover with Current Limiter (ACCL)

Model	Description	CATCODE	Unit LP - ₹
Single Phase ACCL without Display, 4DIN, Relay Based (12 months warranty)			
ACCL 400	32A Single Phase ACCL without Display, 4DIN, Relay Based	AL0400D10300	1900
Single Phase ACCL without Display, 4DIN, Contactor Based			
iACCL 400C	32A Single Phase ACCL without Display, Contactor Based	AL400CD10300	4250
Single Phase ACCL with Display, 4DIN, Relay Based			
iACCL M400	32A Single Phase ACCL with Display	ALM400D10300	2600
iACCL M400	32A Single Phase ACCL with Display, RS485	ALM400D11300	4350
3 Phase (EB) & Single Phase (DG) ACCL in 144x144mm construction, Contactor Based			
iACCL M330	32A Three Phase (EB) & Single Phase (DG) ACCL	ALM330P10300	6825
iACCL M330	32A Three Phase (EB) & Single Phase (DG) ACCL, RS485	ALM330P11300	8600
iACCL M330	40A Three Phase (EB) & Single Phase (DG) ACCL	ALM330P10400	7550
iACCL M330	40A Three Phase (EB) & Single Phase (DG) ACCL, RS485	ALM330P11400	9350
3 Phase ACCL, Contactor Based			
iACCL M300	32A Three Phase ACCL	ALM300P10300	7665
iACCL M300	32A Three Phase ACCL, RS485	ALM300P11300	9555
iACCL M300	40A Three Phase ACCL	ALM300P10400	8160
iACCL M300	40A Three Phase ACCL, RS485	ALM300P11400	10030
iACCL M300	63A Three Phase ACCL	ALM300P10600	16200
iACCL M300	63A Three Phase ACCL, RS485	ALM300P11600	18100
iACCL M300	80A Three Phase ACCL	ALM300P10800	24780
iACCL M300	80A Three Phase ACCL, RS485	ALM300P11800	26620
iACCL M300	100A Three Phase ACCL	ALM300P10A00	29767
iACCL M300	100A Three Phase ACCL, RS485	ALM300P11A00	31500
iACCL M300	125A Three Phase ACCL	ALM300P10B00	34650
iACCL M300	125A Three Phase ACCL, RS485	ALM300P11B00	36540

Warranty: 12 months

EX-stock

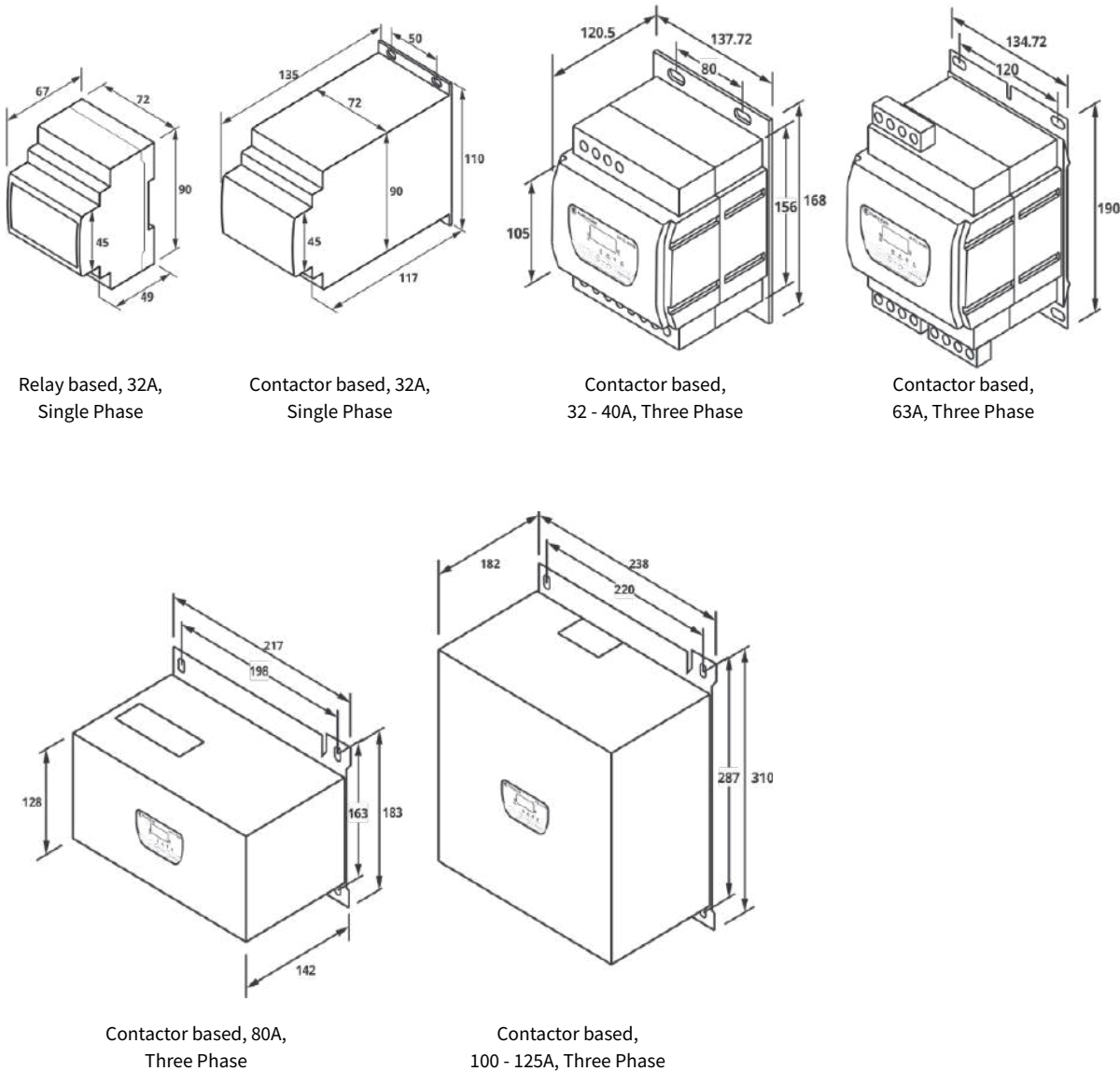
CAT-2 (Delivery in 5 working days)

CAT-3 (Delivery in 14 working days)

Automatic Changeover & Current Limiter LCD Version

Model	Description	CATCODE	Unit LP - ₹
iACCL M300L	32A Three Phase ACCL LCD Display	ALM300L10300	8665
iACCL M300L	32A Three Phase ACCL LCD Display, RS485	ALM300L11300	10555
iACCL M300L	40A Three Phase ACCL LCD Display	ALM300L10400	9160
iACCL M300L	40A Three Phase ACCL LCD Display, RS485	ALM300L11400	11030
iACCL M300L	63A Three Phase ACCL LCD Display	ALM300L10600	17200
iACCL M300L	63A Three Phase ACCL LCD Display, RS485	ALM300L11600	19000

Mechanical Diagram:



Warranty: 12 months

EX-stock

CAT-2 (Delivery in 5 working days)

CAT-3 (Delivery in 14 working days)



NETWORK GATEWAYS

Reliable gateways to **connect** different systems together.



Network Gateways

- 2kVA isolation for RS485
- **Modbus / MQTT** Protocol
- Configurable RS485 baud rate, parity and stop Bit
- **Built-in RTC** in GW series

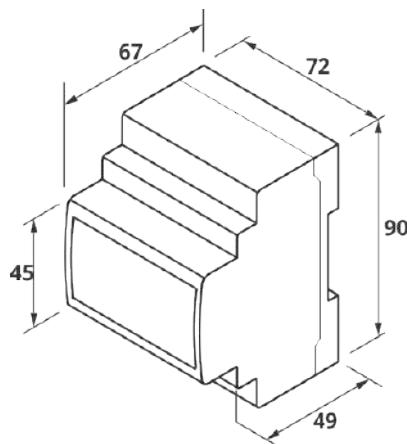
- **One Touch Recovery**
- Data storage for GW series
- Remote firmware upgradation

IoT Gateway



Model	Description	CATCODE	Unit LP - ₹
GW 3000L	Gateway RS485 to Ethernet, Transparent	GW3000L00000	23500
GW 3000M	Gateway RS485 to Ethernet - MQTT with 4GB Memory	GW3000M00000	33000
GW 3000P	Gateway RS485 to Ethernet - MQTT + IO+6DI+4DO+2AI, DL - 4GB	GW3000P00000	45000

Mechanical Diagram:



NANOVIP® Power Quality Analyzers

The smartest way to approach the rising Power Quality issues is to address the situation quickly with accurate data.



Handy PQ analyzer for balanced loads

- Easily portable device with user-friendly interface
- Fully-loaded product at attractive cost
- Suitable for both maintenance engineers and professional auditors

Model	Description	CATCODE	Unit LP - ₹
NanoVip ONE	NanoVIP ONE WITH NANOFLEX 3000A	NV-4NAN1I	109999
NanoVip ONE	NanoVIP ONE WITH 1000A CLAMP	NV-4NAN1E	109999
NanoVip ONE	NanoVIP ONE WITH 200A CLAMP	NV-4NAN1A	109999
NanoVip ONE	NanoVIP ONE WITH 100A CLAMP	NV-4NAN1	83999
NanoVip ONE	NanoVIP ONE WITH 5A CLAMP	NV-4NAN1F	129999



Feature-rich and powerful PQ analyzer for balanced loads

- Intuitive interface with easy connections
- Professional analysis suitable for the highest requirements
- Over 24 hours with a single full charge

Model	Description	CATCODE	Unit LP - ₹
NanoVip TWO	NanoVIP TWO WITHOUT CLAMPS	NV-4NAN2N	146999



Feature-rich and powerful PQ analyzer for balanced loads

- High level of accuracy for analytical power quality surveys
- Tariff bands setting for TOD measurements and analysis
- A true energy audit tool

Model	Description	CATCODE	Unit LP - ₹
NanoVip CUBE	NanoVIP CUBE WITHOUT CLAMPS	NV-4NAN3N	174999
NanoVip CUBE	NanoVIP CUBE WF WITHOUT CLAMPS	NV-4NAN3WFN	185999

NANOVIP® Accessories

Current Sensors

Rogowski FlexCT



1A - 1000A
(ID: 800mm)

5A - 3000A
(ID: 400mm)

10A - 6000A
(ID: 600mm)

Clamp CT



0.1A - 5A AC

0.1A - 200A AC

0.5A - 400A AC /
0.5A - 600A DC

Model	Description	CATCODE	Unit LP - ₹
NanoFLEX CLAMP	NanoFLEX CLAMP 3000A 600 mm	NV-4AAZ6RP	33999/-
NanoFLEX CLAMP	NanoFLEX CLAMP 1000A 800 mm	NV-4AAXX	58999/-
Nano CLAMP	Nano CLAMP 1000A/1V	NV-4AAWSRP	36999/-
Nano CLAMP	Nano CLAMP 200A/1V	NV-4AR10RP	29999/-
Nano CLAMP	Nano CLAMP 5A/1V	NV-4AAYVRP	45999/-



Make smart decisions.

THEIOX is an IoT platform built for analytics and making sense of data, to give actionable insights that improves your operational efficiency and overall profitability.



SMART ENERGY

- Continuous reliability
- High efficiency
- Operational reports



SMART BUILDINGS

- Utility bill tracking
- Preventive maintenance
- Tenant retention



SMART MANUFACTURING

- Operational intelligence
- Predictive maintenance
- Remote device control



ELMEASURE[®]
Possibilities...Infinite

©2024 Elmeasure. All Rights Reserved.
Elmeasure brand name and the logo are registered trademarks of Elmeasure.
This document is protected by copyright laws.
Reproduction and distribution of the same without a prior written permission is prohibited.

Registered Address:
Elmeasure India Private Limited,
#47P, KIADB, Huvinayakanahalli,
Jala Hobli, Bagalur - 562149
Bangalore, Karnataka, India.

DISCLAIMER:
Changes to the products or the information contained in this document are subject to change without notice. Product photos are for representation purposes only and do not warrant a specific feature or functionality. The use of information in whatever form is subject to our prior written approval.

Visit: www.elmeasure.com

For latest updates, follow us:

